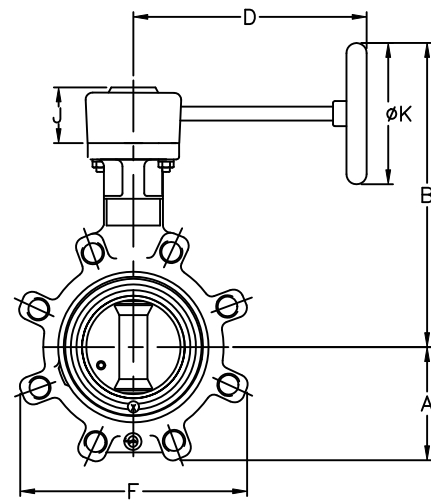
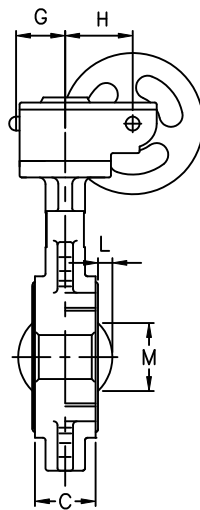
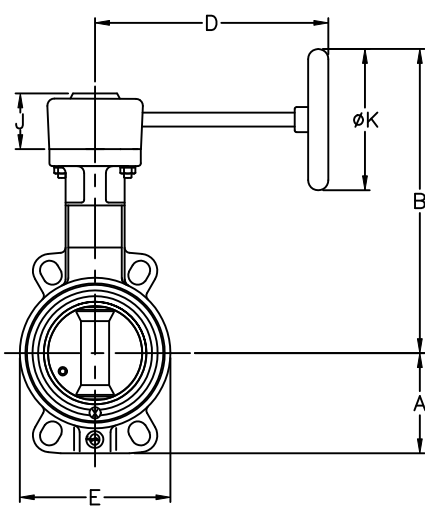
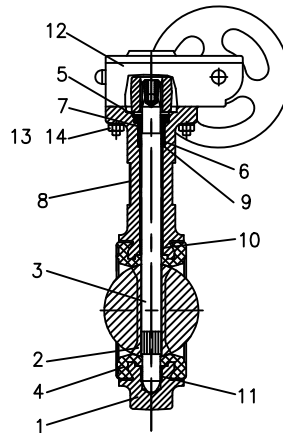


Materials (with Gear Box)



Item #	Qty	Description	Material	Item #	Qty	Description	Material
1	1	Body	Cast Iron	8	1	Metal Tag	Aluminium
2	1	Disc	Ductile Iron or 316 SS	9	1	Safty Bushing	SS 304L
3	1	Shaft	AISI 420	10	1/2	Bearings/Upper Guide Bushing	Zinc Coated Steel + PTFE
4	1	Liner	EPDM	11	1/2	Bearings/Lower Guide Bushing	Zinc Coated Steel + PTFE
5	1	Circlip	Steel XC 75/Stainless Steel	12	1	Gear Box	Cast Iron
6	1	O'Ring	Nitrile/Nylon	13	4	Screw	Zinc Coated Steel
7	1	Bushing	IXEF/Brass	14	4	Stop Washer	Zinc Coated Steel

Max Temp 230°F (110°C)  
Max Pressure: 200 psi (14bar)

Flomatic Corporation can accept no responsibility for possible errors in catalogues, brochures and other printed material. Flomatic Corporation reserves the right to alter its products without notices. This also applies to product already agreed. All trademarks in this material are property of the respective companies. All right reserved. ©2011 Flomatic Corporation. The drawings & information on this drawing sheet are the sole & exclusive property of Flomatic Corporation. Any reproduction, distribution, display or use of these drawings or information in whole or in part without written authorization of Flomatic Corporation is strictly prohibited.

# Butterfly Valves

Sylax®2

Model 149G



Sizes 8" Thru 12"/ 200 mm Thru 300 mm



## Dimensions

Size		A		B		C		D		E		F		G		H	
inch	mm	inch	mm	inch	mm	inch	mm	inch	mm	inch	mm	inch	mm	inch	mm	inch	mm
8	200	6.46	164	10.79	374	2.36	60	7.76	197	10.43	265	13.19	335	2.32	56	1.97	50
10	250	7.87	200	15.71	399	2.68	68	7.76	197	12.48	317	15.75	400	2.32	56	1.97	50
12	300	9.25	235	18.07	459	3.07	78	9.41	239	14.57	370	18	457	3.11	79	2.36	60

Size		J		K		L		M		Wgt Wafer		Wgt Lug	
inch	mm	inch	mm	inch	mm	inch	mm	inch	mm	lbs	kg	lbs	kg
8	200	2.64	67	7.87	200	2.80	71	7.54	192	40	18	54	25
10	250	2.64	67	7.87	200	3.62	92	9.53	242	68	31	79	36
12	300	3.11	79	9.84	250	4.41	112	11.46	291	90	41	110	50

Flomatic Corporation can accept no responsibility for possible errors in catalogues, brochures and other printed material. Flomatic Corporation reserves the right to alter its products without notices. This also applies to product already agreed. All trademarks in this material are property of the respective companies. All right reserved. ©2011 Flomatic Corporation. The drawings & information on this drawing sheet are the sole & exclusive property of Flomatic Corporation. Any reproduction, distribution, display or use of these drawings or information in whole or in part without written authorization of Flomatic Corporation is strictly prohibited.