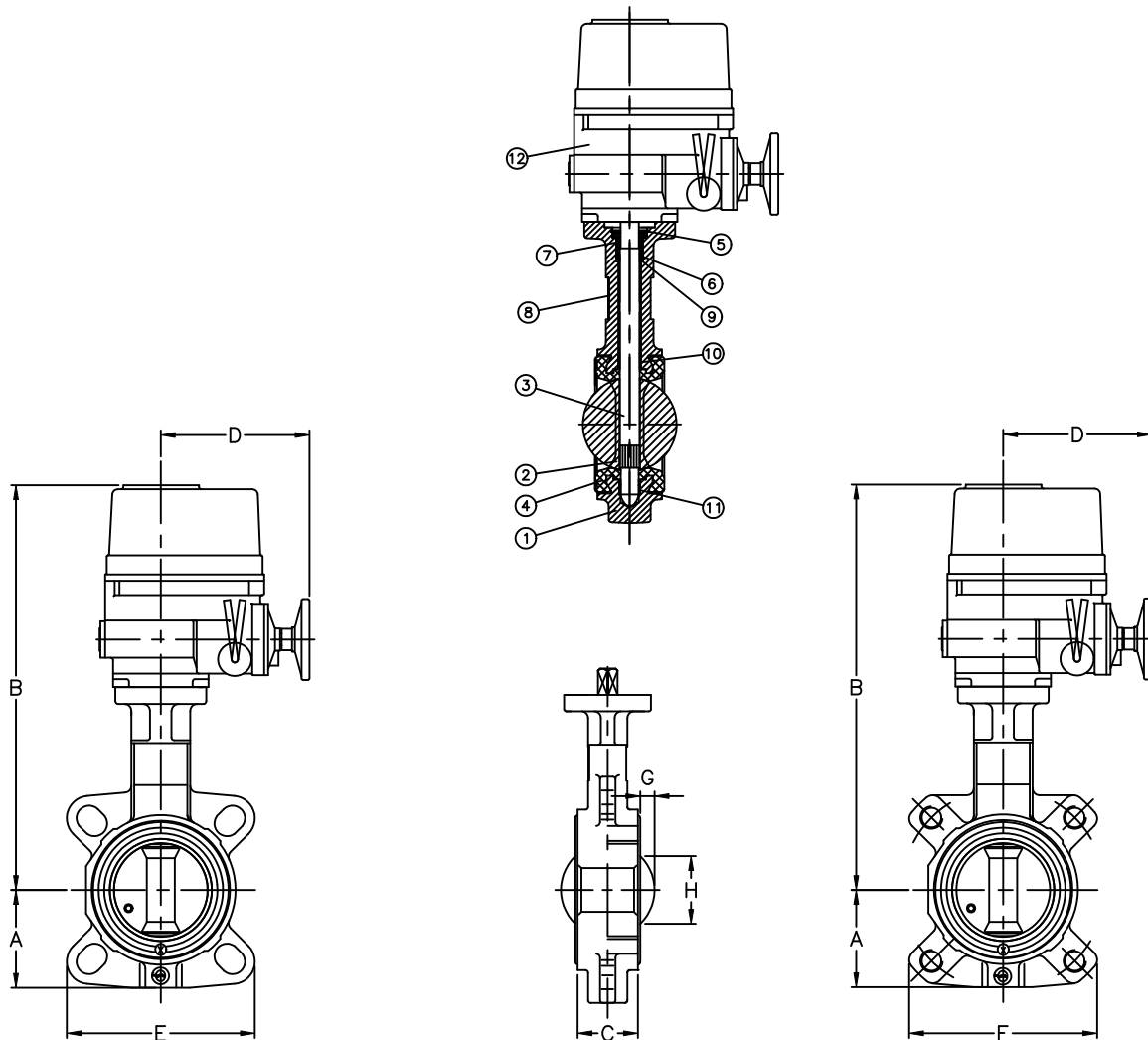


Materials (with Actuator)



Item #	Qty	Description	Material	Item #	Qty	Description	Material
1	1	Body	Cast Iron A48	7	1	Bushing	IXEF/Brass
2	1	Disc	Ductile Iron or 316 SS	8	1	Metal Tag	Aluminium
3	1	Shaft	AISI 420	9	1	Safy Bushing	SS 304L
4	1	Liner	EPDM	10	1	Upper Guide Bushing	Zinc Coated Steel + PTFE
5	1	Circlip	Steel XC 75/Stainless Steel	11	1	Lower Guide Bushing	Zinc Coated Steel + PTFE
6	1	O'Ring	Nitrile/Nylon	12	1	Actuator	-----

2" - 3" Actuator Model F/RCEL-9
 4" & 5" Actuator Model F/RCEL-9
 6" Actuator Model F/RCEL-15
 Max Temp 230°F (110°C)
 Max Pressure: 200 psi (14bar)

Flomatic Corporation can accept no responsibility for possible errors in catalogues, brochures and other printed material. Flomatic Corporation reserves the right to alter its products without notices. This also applies to product already agreed. All trademarks in this material are property of the respective companies. All right reserved. ©2011 Flomatic Corporation. The drawings & information on this drawing sheet are the sole & exclusive property of Flomatic Corporation. Any reproduction, distribution, display or use of these drawings or information in whole or in part without written authorization of Flomatic Corporation is strictly prohibited.

Butterfly Valves

Sylax®2

Model 149GA



Sizes 2" Thru 6"/ 50 mm Thru 150 mm

Dimensions



Size		A		B		C		D		E		F		G		H		Wgt Wafer		Wgt Lug	
inch	mm	inch	mm	inch	mm	inch	mm	inch	mm	inch	mm	inch	mm	inch	mm	inch	mm	lbs	kg	lbs	kg
2	50	2.44	62	19.65	499	1.69	43	6.89	175	4.76	121	5	127	.24	6	1.30	33	31.5	14.3	32.8	14.9
2-1/2	65	3.31	84	20.00	508	1.81	46	6.89	175	5.35	136	5.51	140	.51	13	2.17	55	32.4	14.7	35.1	15.9
3	80	3.50	89	20.24	514	1.81	46	6.89	175	5.00	127	7.71	196	.79	20	2.96	73	32.8	14.9	36.2	16.4
4	100	4.17	106	21.18	538	2.05	52	6.89	175	5.87	149	8.19	208	.98	25	3.43	87	36.8	16.9	42.5	19.3
5	125	4.72	120	21.77	553	2.20	56	6.89	175	7.17	182	9.53	242	1.38	35	4.45	113	41.2	18.7	45.7	20.7
6	150	5.16	131	22.29	566	2.20	56	7.25	184	8.23	209	10.63	270	1.89	48	5.55	141	45.1	20.5	53	24

Flomatic Corporation can accept no responsibility for possible errors in catalogues, brochures and other printed material. Flomatic Corporation reserves the right to alter its products without notices. This also applies to product already agreed. All trademarks in this material are property of the respective companies. All right reserved. ©2011 Flomatic Corporation. The drawings & information on this drawing sheet are the sole & exclusive property of Flomatic Corporation. Any reproduction, distribution, display or use of these drawings or information in whole or in part without written authorization of Flomatic Corporation is strictly prohibited.

