

AWWA C504 Butterfly Valve

Azure®

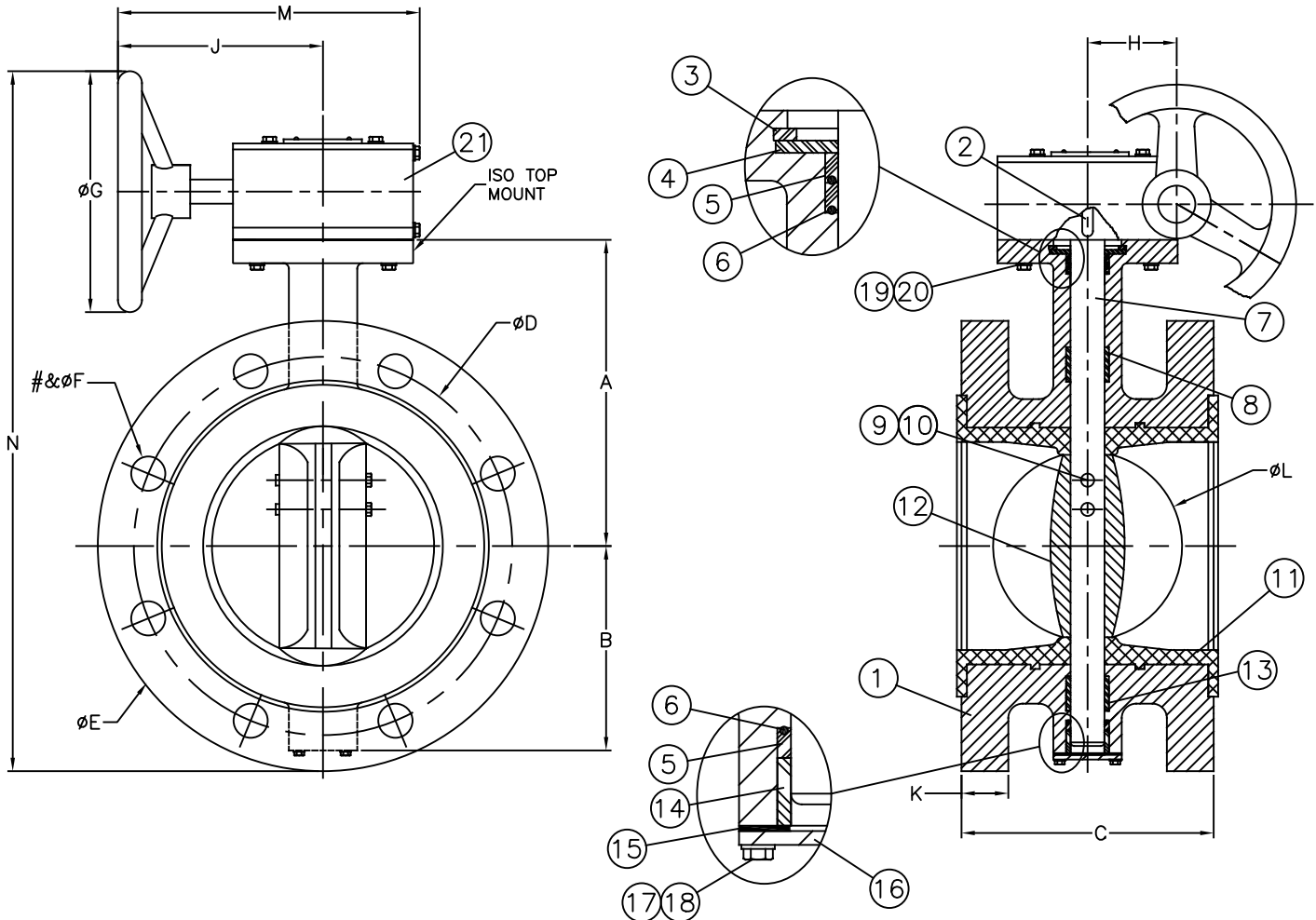
Model 45

FLOMATIC®

Flomatic Corporation

Sizes 3" Thru 24" / 75 mm Thru 600 mm
150 ANSI B16.5 FLANGE

Materials (with Gear Box & Buna-N Seat)



Max Temp 180°F (82°C)
Max Pressure 200psi (14bar)
Max Pressure Differential 150psi (10bar)

Item #	Description	Material	Item #	Description	Material
1	Body	Ductile Iron A536	12	Disc	Ductile Iron & 316SS Trim
2	Key	ASTM 1045	13	Lower Bushing	ASTM S304+F4
3	C Clip	AISI 1066	14	Lower Bearing	Nylon
4	Washer	Stainless Steel	15	Bottom Cover Gasket	Buna-N
5	U-Cup	Buna-N	16	Bottom Cover	Ductile Iron A536
6	O'Ring	Buna-N	17	Washer	Stainless Steel 304
7	Shaft	Stainless Steel 316	18	Bolt	Stainless Steel 304
8	Upper Bushing	ASTM S304+F4	19	Washer	Stainless Steel 304
9	Threaded Taper Pin	Stainless Steel 304	20	Bolt	Stainless Steel 304
10	Nut	Stainless Steel 304	21	Gear Box	Various
11	Gasket*	Buna-N			

* EPDM Optional

Flomatic Corporation can accept no responsibility for possible errors in catalogues, brochures and other printed material. Flomatic Corporation reserves the right to alter its products without notices. This also applies to product already agreed. All trademarks in this material are property of the respective companies. All rights reserved. ©2020 Flomatic Corporation. The drawings & information on this drawing sheet are the sole & exclusive property of Flomatic Corporation. Any reproduction, distribution, display or use of these drawings or information in whole or in part without written authorization of Flomatic Corporation is strictly prohibited. www.flomatic.com

Dimensions



Size		Part #	A		B		C		ØD		ØE		# & ØF	
inch	mm		inch	mm	inch	mm	inch	mm	inch	mm	inch	mm	inch	mm
3	75	450000060	6.25	159	3.54	90	5.00	127	6.0	152	7.50	190	4-.75	19
4	100	450000070	7.00	178	3.98	101	5.00	127	7.5	191	9.00	230	8-.75	19
6	150	450000090	8.00	203	5.87	149	5.00	127	9.5	241	11.00	280	8-.88	22
8	200	450000100	9.53	242	6.26	159	6.00	152	11.75	299	13.50	345	8-.88	22
10	250	450000110	10.78	274	7.68	195	8.00	203	14.25	362	16.00	405	12-1.00	25
12	300	450000120	12.32	313	9.09	231	8.00	203	17.00	432	19.00	485	12-1.00	25
14	350	450000140	14.00	356	10.28	261	8.00	203	18.75	476	21.00	535	12-1.13	29
16	400	450000160	15.04	382	11.34	288	8.00	203	21.25	540	23.50	595	16-1.13	29
18	450	450000180	16.54	420	13.00	330	8.00	203	22.75	578	25.00	635	16-1.25	32
20	500	450000200	18.07	459	14.25	362	8.00	203	25.00	635	27.50	700	20-1.25	32
24	600	450000240	22.52	572	16.71	424.4	8.00	203	29.50	749	32.00	815	20-1.63	35

Size		G		H		J		K		ØL		M		N		Gearbox		Weight	
inch	mm	inch	mm	inch	mm	inch	mm	inch	mm	inch	mm	inch	mm	inch	mm	Ratio	Open Turns	lbs	kg
3	75	11.81	300	2.60	66	8.46	215	.75	19	2.93	74.6	12.20	310	17.20	437	30:1	7.5	51	23
4	100	11.81	300	2.60	66	8.46	215	.94	24	3.71	94.3	12.20	310	18.39	467	30:1	7.5	63	28.5
6	150	11.81	300	2.60	66	8.46	215	1.00	25	5.63	142.9	12.20	310	21.26	540	30:1	7.5	85	38.5
8	200	11.81	300	2.60	66	8.46	215	1.13	29	7.58	192.5	12.20	310	23.19	589	30:1	7.5	115	52
10	250	11.81	300	3.19	81	8.07	205	1.18	48	9.69	246	12.40	315	24.61	625	50:1	12.5	161	73
12	300	11.81	300	3.19	81	8.07	205	1.25	32	11.42	290	12.40	315	28.98	736	50:1	12.5	220	99.5
14	350	11.81	300	3.19	81	8.07	205	1.38	35	13.00	330	12.40	315	31.89	810	50:1	12.5	276	125
16	400	23.63	600	4.92	125	11.81	300	1.44	37	15.16	385	17.72	450	40.43	1027	70:1	17.5	391	177
18	450	23.63	600	4.92	125	11.81	300	1.56	40	17.17	436	17.72	450	43.58	1107	70:1	17.5	457	207
20	500	23.63	600	4.92	125	11.81	300	1.69	43	19.00	483	17.72	450	46.38	1178	70:1	17.5	644	292
24	600	23.63	600	4.92	125	11.81	300	1.88	48	22.44	570	17.72	450	53.27	1353	70:1	17.5	922	418

Flomatic Corporation can accept no responsibility for possible errors in catalogues, brochures and other printed material. Flomatic Corporation reserves the right to alter its products without notices. This also applies to product already agreed. All trademarks in this material are property of the respective companies. All rights reserved. ©2020 Flomatic Corporation. The drawings & information on this drawing sheet are the sole & exclusive property of Flomatic Corporation. Any reproduction, distribution, display or use of these drawings or information in whole or in part without written authorization of Flomatic Corporation is strictly prohibited. www.flomatic.com