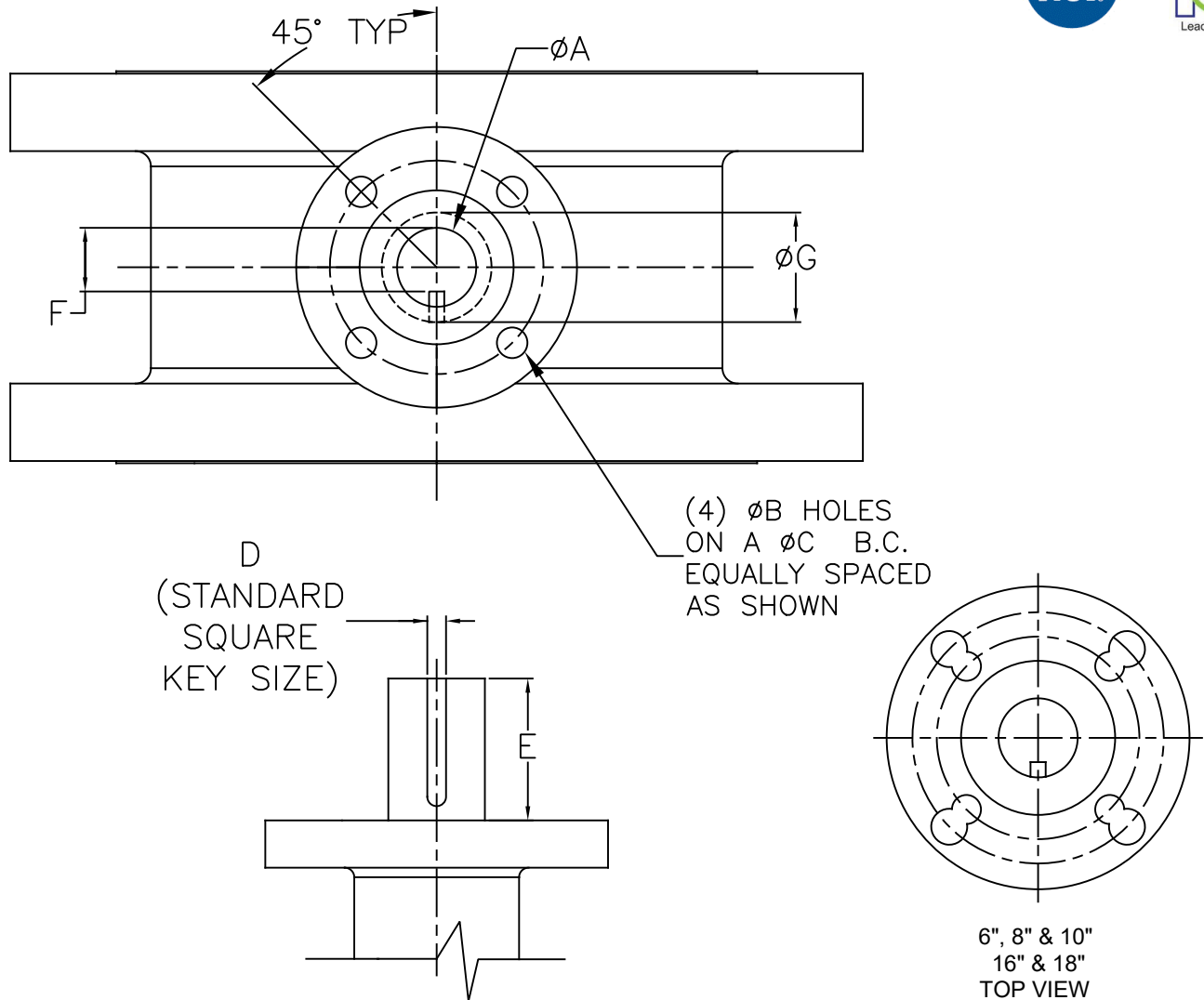




Dimensions



Size		ISO 5211 TOP	A		B		C		D		E		F		G	
inch	mm		inch	mm	inch	mm	inch	mm	inch	mm	inch	mm	inch	mm	inch	mm
3	75	F07	.56	14.3	.39	10	2.76	70	.125	3.18	1.54	39	.498	13	.623	16
4	100	F07	.63	15.9	.39	10	2.76	70	.187	4.75	1.54	39	.513	13	.700	18
6	150	F10 & 12	.87	22.2	.47 & .55	12 & 14	4.0 & 4.9	102 & 125	.187	4.75	2.05	52	.777	20	.964	24
8	200	F10 & 12	1.13	28.6	.47 & .55	12 & 14	4.0 & 4.9	102 & 125	.250	6.35	2.05	52	1.00*	26	1.26*	32
10	250	F10 & 12	1.37	34.9	.47 & .55	12 & 14	4.0 & 4.9	102 & 125	.313	7.95	3.00	76	1.21	31	1.53	39
12	300	F12	1.37	34.9	.55	14	4.95	125	.313	7.95	3.00	76	1.21	31	1.53	39
14	350	F12	1.63	41.3	.55	14	4.95	125	.375	9.53	3.00	76	1.44*	37	1.82*	46
16	400	F14 & 16	1.87	47.6	.71 & .91	18 & 23	5.5 & 6.5	140 & 165	.500	12.7	3.00	76	1.62	41	2.12	54
18	450	F14 & 16	2.25	57.2	.71 & .91	18 & 23	5.5 & 6.5	140 & 165	.500	12.7	3.50	89	1.93	49	2.43	62
20	500	F16	2.25	57.2	.91	23	6.50	165	.500	12.7	3.50	89	1.93	49	2.43	62
24	600	F16	2.25	57.2	.91	23	6.50	165	.500	12.7	3.50	89	1.93	49	2.43	62

* REF DIMENSION

Flomatic Corporation can accept no responsibility for possible errors in catalogues, brochures and other printed material. Flomatic Corporation reserves the right to alter its products without notices. This also applies to product already agreed. All trademarks in this material are property of the respective companies. All rights reserved. ©2022 Flomatic Corporation. The drawings & information on this drawing sheet are the sole & exclusive property of Flomatic Corporation. Any reproduction, distribution, display or use of these drawings or information in whole or in part without written authorization of Flomatic Corporation is strictly prohibited. www.flomatic.com