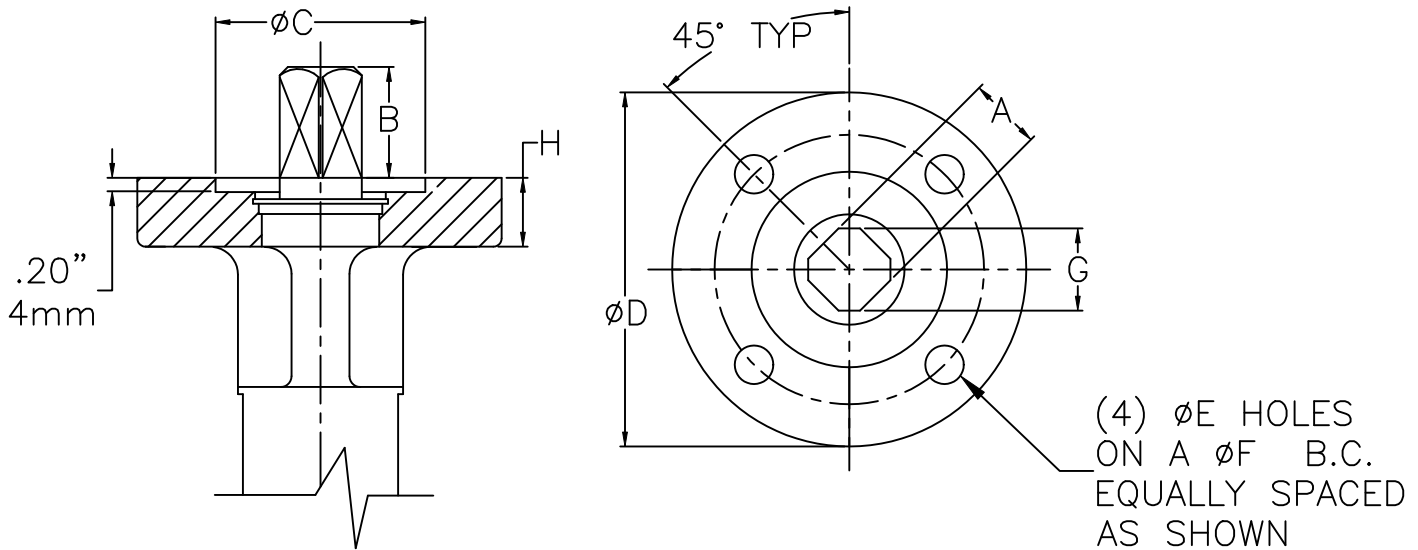




Dimensions



Size		ISO 5211 TOP	A		B		C		D		E		F		G		H	
inch	mm		inch	mm	inch	mm	inch	mm	inch	mm	inch	mm	inch	mm	inch	mm	inch	mm
2	50	F05	.43	11	.63	16	1.02	36	2.56	65	.26	6.5	1.97	50	.47	12	.47	12
2-1/2	65	F05	.43	11	.63	16	1.02	36	2.56	65	.26	6.5	1.97	50	.47	12	.47	12
3	80	F05	.43	11	.63	16	1.02	36	2.56	65	.26	6.5	1.97	50	.47	12	.47	12
4	100	F05	.43	11	.63	16	1.02	36	2.56	65	.26	6.5	1.97	50	.47	12	.47	12
5	125	F07	.55	14	.75	19	2.20	56	3.54	90	.33	8.5	2.76	70	.59	15	.47	12
6	150	F07	.55	14	.75	19	2.20	56	3.54	90	.33	8.5	2.76	70	.59	15	.47	12
8	200	F10	.67	17	.95	24	2.80	71	4.92	125	.41	10.5	4.02	102	.79	20	.61	15.5
10	250	F10	.87	22	.95	24	2.80	71	4.92	125	.41	10.5	4.02	102	1.02	26	.63	16
12	300	F12	.87	22	1.14	29	3.43	87	5.91	150	.49	12.5	4.92	125	1.02	26	.63	16

Flomatic Corporation can accept no responsibility for possible errors in catalogues, brochures and other printed material. Flomatic Corporation reserves the right to alter its products without notices. This also applies to product already agreed. All trademarks in this material are property of the respective companies. All right reserved. ©2015 Flomatic Corporation. The drawings & information on this drawing sheet are the sole & exclusive property of Flomatic Corporation. Any reproduction, distribution, display or use of these drawings or information in whole or in part without written authorization of Flomatic Corporation is strictly prohibited.