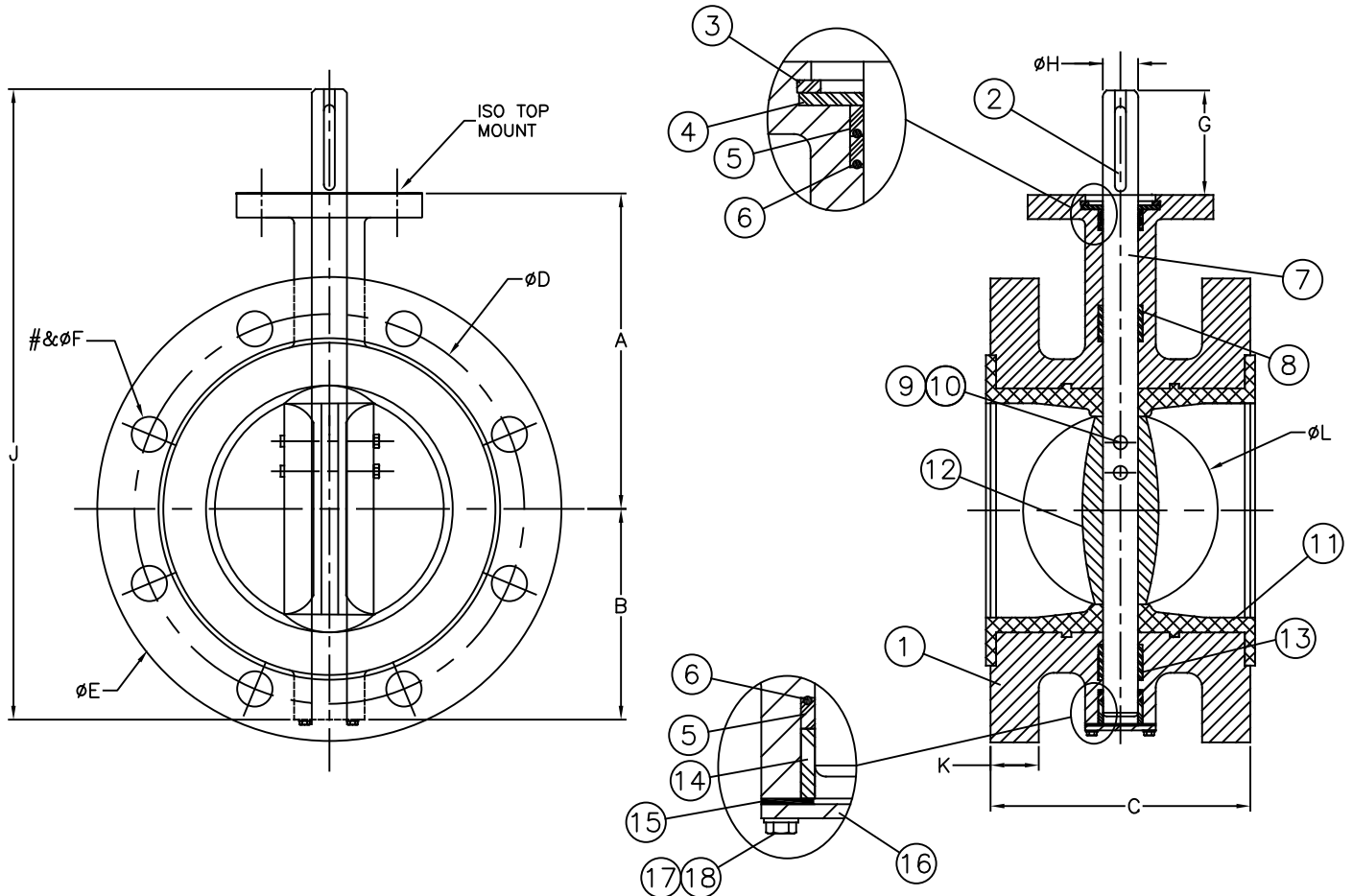




Materials (Bare Stem B Buna-N Seat)



Max Temp 180°F (82°C)
Max Pressure 200psi (14bar)
Max Pressure Differential 150psi (10bar)

Item #	Description	Material	Item #	Description	Material
1	Body	Ductile Iron A536	10	Nut	Stainless Steel 304
2	Key	ASTM 1045	11	Gasket*	Buna-N
3	C Clip	AISI 1066	12	Disc	Ductile Iron & 316SS Trim
4	Washer	Stainless Steel	13	Lower Bushing	ASTM S304+F4
5	U-Cup	Buna-N	14	Lower Bearing	Nylon
6	O'Ring	Buna-N	15	Bottom Cover Gasket	Buna-N
7	Shaft	Stainless Steel 316	16	Bottom Cover	Ductile Iron A536
8	Upper Bushing	ASTM S304+F4	17	Washer	Stainless Steel 304
9	Threaded Taper Pin	Stainless Steel 304	18	Bolt	Stainless Steel 304

* EPDM Optional

Flomatic Corporation can accept no responsibility for possible errors in catalogues, brochures and other printed material. Flomatic Corporation reserves the right to alter its products without notices. This also applies to product already agreed. All trademarks in this material are property of the respective companies. All rights reserved. ©2020 Flomatic Corporation. The drawings & information on this drawing sheet are the sole & exclusive property of Flomatic Corporation. Any reproduction, distribution, display or use of these drawings or information in whole or in part without written authorization of Flomatic Corporation is strictly prohibited. www.flomatic.com



Dimensions

Size		Part #	A		B		C		ØD		ØE		# & ØF	
inch	mm		inch	mm	inch	mm	inch	mm	inch	mm	inch	mm	inch	mm
3	75	45000006B	6.25	159	3.54	90	5.00	127	6.0	152	7.50	190	4-.75	19
4	100	45000007B	7.00	178	3.98	101	5.00	127	7.5	191	9.00	230	8-.75	19
6	150	45000009B	8.00	203	5.87	149	5.00	127	9.5	241	11.00	280	8-.88	22
8	200	45000010B	9.53	242	6.26	159	6.00	152	11.75	299	13.50	345	8-.88	22
10	250	45000011B	10.78	274	7.68	195	8.00	203	14.25	362	16.00	405	12-1.00	25
12	300	45000012B	12.32	313	9.09	231	8.00	203	17.00	432	19.00	485	12-1.00	25
14	350	45000014B	14.00	356	10.28	261	8.00	203	18.75	476	21.00	535	12-1.13	29
16	400	45000016B	15.04	382	11.34	288	8.00	203	21.25	540	23.50	595	16-1.13	29
18	450	45000018B	16.54	420	13.00	330	8.00	203	22.75	578	25.00	635	16-1.25	32
20	500	45000020B	18.07	459	14.25	362	8.00	203	25.00	635	27.50	700	20-1.25	32
24	600	45000024B	22.52	572	16.71	424.4	8.00	203	29.50	749	32.00	815	20-1.63	35

Size		G		ØH		J		K		L		Weight	
inch	mm	inch	mm	inch	mm	inch	mm	inch	mm	inch	mm	lbs	kg
3	75	1.54	39	.56	14.3	11.34	288	.75	19	2.93	74.6	24	11
4	100	1.54	39	.63	15.9	12.52	318	.94	24	3.71	94.3	36	16.5
6	150	2.05	52	.87	22.2	15.91	404	1.00	25	5.63	143	59	26.5
8	200	2.05	52	1.13	28.6	17.83	453	1.13	29	7.58	193	88	40
10	250	3.00	76	1.38	34.9	21.46	545	1.18	48	9.69	246	135	61
12	300	3.00	76	1.38	34.9	24.41	620	1.25	32	11.42	290	189	85.5
14	350	3.00	76	1.63	41.3	27.28	693	1.38	35	13.00	330	245	111
16	400	3.00	76	1.87	47.6	29.37	746	1.44	37	15.16	385	320	145
18	450	3.50	89	2.25	57.2	33.03	839	1.56	40	17.17	436	386	175
20	500	3.50	89	2.25	57.2	35.83	910	1.69	43	19.00	483	573	260
24	600	3.50	89	2.25	57.2	42.73	1085.4	1.88	48	22.44	570	723	328

Flomatic Corporation can accept no responsibility for possible errors in catalogues, brochures and other printed material. Flomatic Corporation reserves the right to alter its products without notices. This also applies to product already agreed. All trademarks in this material are property of the respective companies. All rights reserved. ©2020 Flomatic Corporation. The drawings & information on this drawing sheet are the sole & exclusive property of Flomatic Corporation. Any reproduction, distribution, display or use of these drawings or information in whole or in part without written authorization of Flomatic Corporation is strictly prohibited. www.flomatic.com