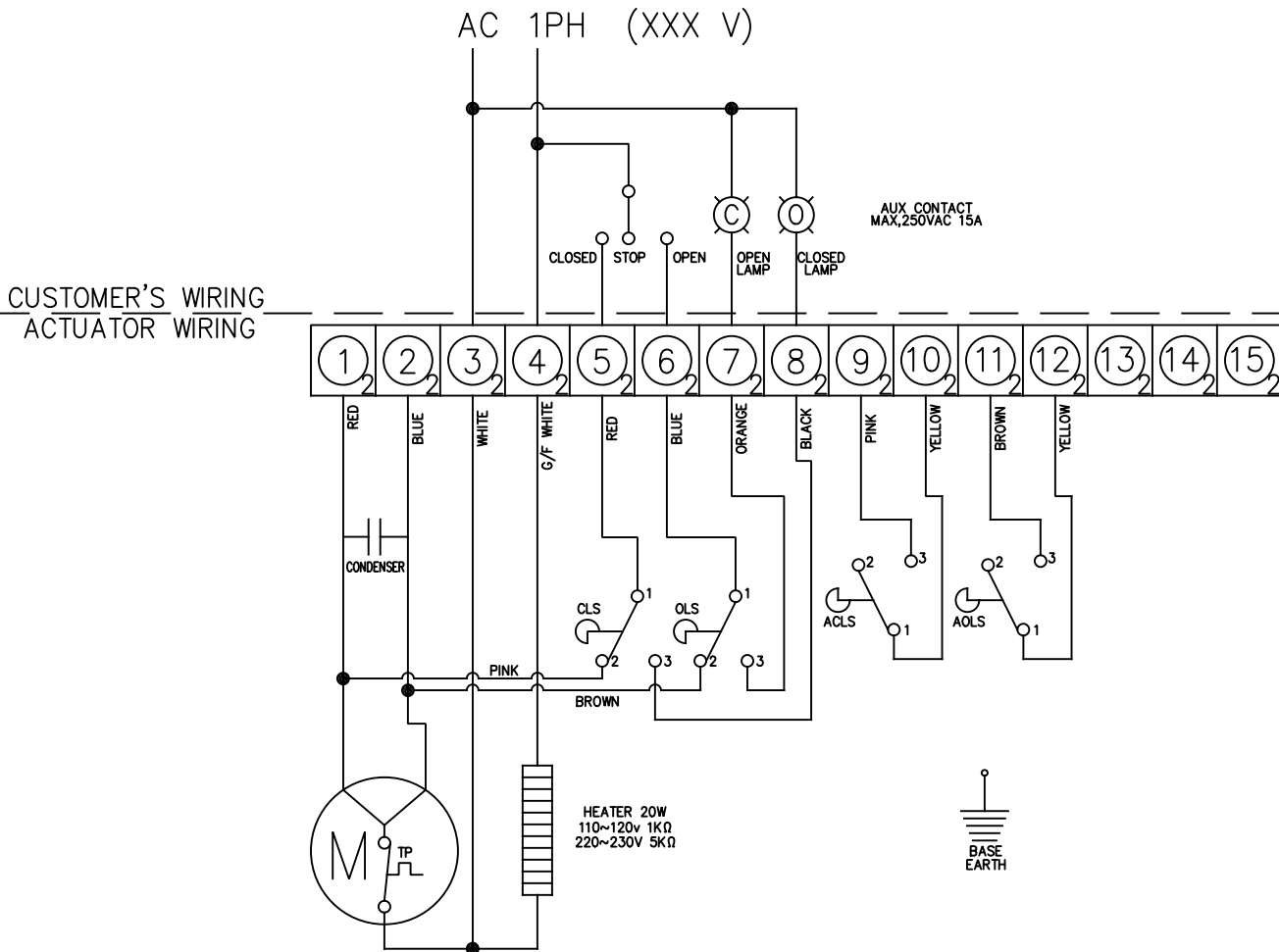


### Wiring

- CLS: CLOSE LIMIT SWITCH (250VAC 15A)
- OLS: OPEN LIMIT SWITCH (250VAC 15A)
- CTS: CLOSE TORQUE SWITCH (250VAC 15A)
- OTS: OPEN TORQUE SWITCH (250VAC 15A)
- ACLS: AUX, CLOSE LIMIT SWITCH (250VAC 15A)
- AOLS: AUX, OPEN LIMIT SWITCH (250VAC 15A)
- TP: THERMAL PROTECTOR (250VAC 15A)

\*EACH ACTUATOR SHOULD BE POWERED THROUGH ITS OWN INDIVIDUAL SWITCH OR RELAY CONTACTS TO PREVENT CROSS FEED BETWEEN TWO OR MORE ACTUATORS

	CLOSE	OPEN
CLS 1-2		
CLS 1-3		
OLS 1-2		
OLS 1-3		
ACLS 1-2		
ACLS 1-3		
AOLS 1-2		
AOLS 1-3		



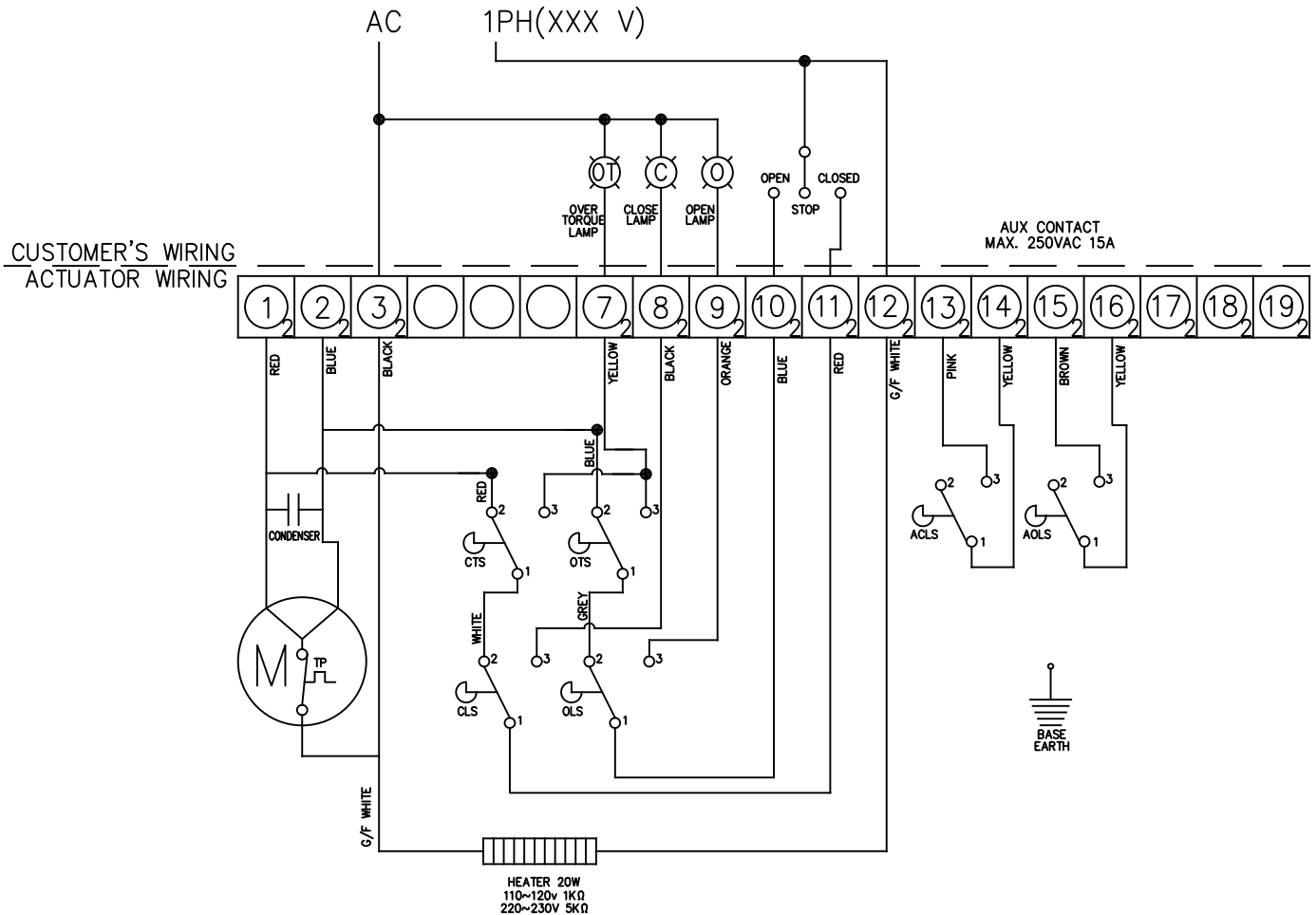
Flomatic Corporation can accept no responsibility for possible errors in catalogues, brochures and other printed material. Flomatic Corporation reserves the right to alter its products without notices. This also applies to product already agreed. All trademarks in this material are property of the respective companies. All right reserved. ©2019 Flomatic Corporation. The drawings & information on this drawing sheet are the sole & exclusive property of Flomatic Corporation. Any reproduction, distribution, display or use of these drawings or information in whole or in part without written authorization of Flomatic Corporation is strictly prohibited. www.flomatic.com

**Wiring**

- CLS: CLOSE LIMIT SWITCH (250VAC 15A)
- OLS: OPEN LIMIT SWITCH (250VAC 15A)
- CTS: CLOSE TORQUE SWITCH (250VAC 15A)
- OTS: OPEN TORQUE SWITCH (250VAC 15A)
- ACLS: AUX, CLOSE LIMIT SWITCH (250VAC 15A)
- AOLS: AUX, OPEN LIMIT SWITCH (250VAC 15A)
- TP: THERMAL PROTECTOR (250VAC 15A)

\*EACH ACTUATOR SHOULD BE POWERED THROUGH ITS OWN INDIVIDUAL SWITCH OR RELAY CONTACTS TO PREVENT CROSS FEED BETWEEN TWO OR MORE ACTUATORS

	CLOSE	OPEN
CLS 1-2		
CLS 1-3		
OLS 1-2		
OLS 1-3		
ACLS 1-2		
ACLS 1-3		
AOLS 1-2		
AOLS 1-3		
CTS 1-3	CLOSING TORQUE SWITCH INTERRUPTS CONTROL IF MECHANICAL OVERLOAD OCCURS DURING CLOSING CYCLE	
OTS 1-3	OPENING TORQUE SWITCH INTERRUPTS CONTROL IF MECHANICAL OVERLOAD OCCURS DURING CLOSING CYCLE	



Flomatic Corporation can accept no responsibility for possible errors in catalogues, brochures and other printed material. Flomatic Corporation reserves the right to alter its products without notices. This also applies to product already agreed. All trademarks in this material are property of the respective companies. All right reserved. ©2019 Flomatic Corporation. The drawings & information on this drawing sheet are the sole & exclusive property of Flomatic Corporation. Any reproduction, distribution, display or use of these drawings or information in whole or in part without written authorization of Flomatic Corporation is strictly prohibited. www.flomatic.com