

Submersible Pump Check Valve

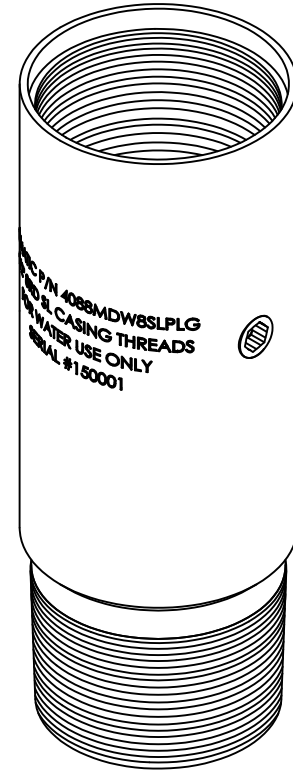
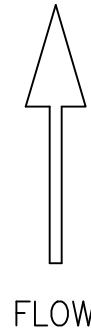
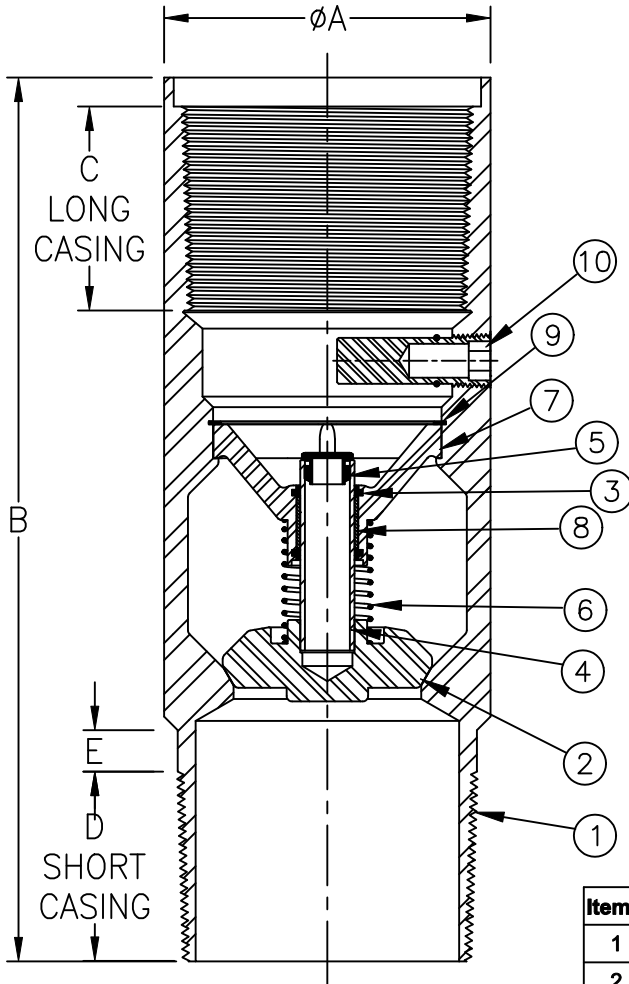
Model 80MDW-VFD **FLOMATIC®**

Sizes 5-1/2" / 140mm
8 Round Short x Long Casing Threads

Flomatic Corporation



Materials



Max Temp 200°F (93°C)
Max Pressure 4400psi (303bar)

| Item # | Qty | Description | Material | ASTM |
|--------|-----|----------------------|----------------------|-------|
| 1 | 1 | Body (Epoxy Coated*) | Hot Rolled Steel | A519 |
| 2 | 1 | Poppet | Hot Rolled Steel | A332 |
| 3 | 2 | Wiper | Engineered Composite | ----- |
| 4 | 1 | Stem | Stainless Steel | 316 |
| 5 | 1 | Stem Cap | Engineered Composite | ----- |
| 6 | 1 | Spring | Stainless Steel | 304 |
| 7 | 1 | Stem Guide | Stainless Steel | 316 |
| 8 | 1 | Bushing | Engineered Composite | ----- |
| 9 | 1 | Retaining Ring | Stainless Steel | 302 |
| 10 | 1 | 3/4" Break-Off Plug | Stainless Steel | 304 |

Epoxy Coating is NSF61 approved

Dimensions (M short casing x F long casing)

| Thread Size | | Part # | A | | B | | C | | D | | E | | Weight | |
|-------------|-----|---------------|------|-----|--------|-----|-------|----|-------|----|------|----|--------|----|
| Inch | mm | | Inch | mm | Inch | mm | Inch | mm | Inch | mm | Inch | mm | lbs | kg |
| 5-1/2 | 140 | 4088MDW8SLPLG | 6 | 152 | 15-5/8 | 397 | 3-3/4 | 95 | 2-7/8 | 73 | 3/4 | 19 | 45 | 20 |

Flomatic Corporation can accept no responsibility for possible errors in catalogues, brochures and other printed material. Flomatic Corporation reserves the right to alter its products without notices. This also applies to product already agreed. All trademarks in this material are property of the respective companies. All right reserved. ©2011 Flomatic Corporation. The drawings & information on this drawing sheet are the sole & exclusive property of Flomatic Corporation. Any reproduction, distribution, display or use of these drawings or information in whole or in part without written authorization of Flomatic Corporation is strictly prohibited.