

# Eccentric Plug Valve

# Flo-E-Centric®

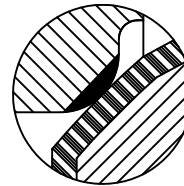
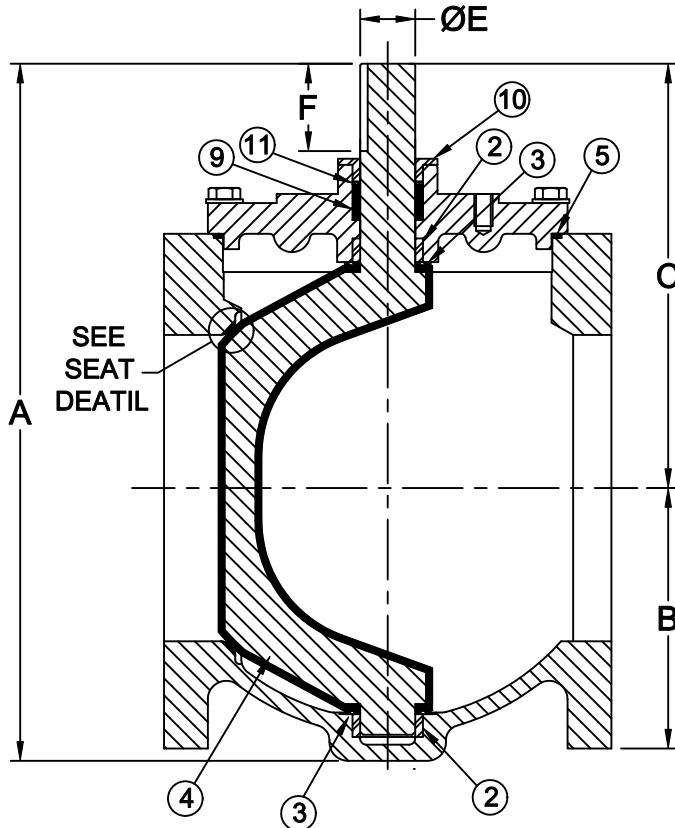
# Model 54-B



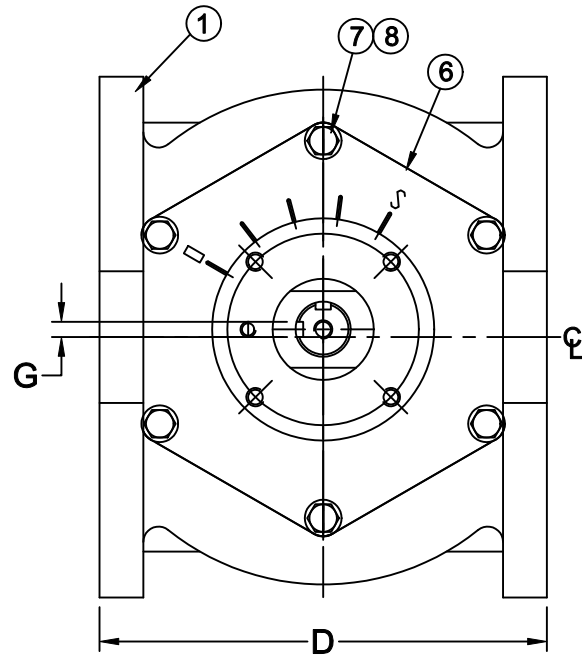
# Flomatic Corporation

Sizes 6" thru 12"/ 10mm thru 300mm  
Bare Stem

## Materials



SEAT DETAIL  
Ni WELDED SEAT



Max Temp 180°F (82°C)  
Max Pressure 200psi (14bar)

Item #	Qty	Description	Material	ASTM	Item #	Qty	Description	Material	ASTM
1	1	Body	Ductile Iron	A536 (65-45-12)	7	6	Bolt	Stainless Steel	304
2	2	Bushing	Stainless Steel	316	8	6	Washer	Stainless Steel	304
3	2	Washer	PTFE	---	9	5	V-Packing	NBR	---
4	1	Plug	Ductile Iron/NBR	A536 (65-45-12)	10	1	Packing Washer	Carbon Steel	1045, Cr Plated
5	1	O-Ring	EPDM	---	11	1	Washer	Brass	B16
6	1	Bonnet	Ductile Iron	A536 (65-45-12)					

10" & 12" valves have (2) keyways

## Dimensions (150# ANSI B16.5 flanges)

Valve Size		Part #	A		B		C		D		ØE		F (Key)		G (Key)		ØP		Weight	
Inch	mm		Inch	mm	Inch	mm	Inch	mm	Inch	mm	Inch	mm	Inch	mm	Inch	mm	Inch	mm	lbs	kg
6	150	54000009B	14.33	364	5.63	143	8.70	221	10.50	267	1.42	36	1.85	47	.39	10	6.00	152	137	62
8	200	54000010B	17.91	455	7.01	178	8.94	277	11.50	292	1.42	36	2.24	57	.39	10	8.00	203	190	86
10	250	54000011B	21.85	558	8.86	225	13.11	333	13.00	330	1.89	48	3.23	82	.55	14	10.00	254	346	157
12	300	54000012B	25.20	640	10.52	267	14.69	373	14.00	356	1.89	48	3.74	95	.55	14	12.00	305	441	200

MANUFACTURED IN COMPLIANCE WITH AWWA C517 STANDARD

Flomatic Corporation can accept no responsibility for possible errors in catalogues, brochures and other printed material. Flomatic Corporation reserves the right to alter its products without notices. This also applies to product already agreed. All trademarks in this material are property of the respective companies. All right reserved. ©2015 Flomatic Corporation. The drawings & information on this drawing sheet are the sole & exclusive property of Flomatic Corporation. Any reproduction, distribution, display or use of these drawings or information in whole or in part without written authorization of Flomatic Corporation is strictly prohibited.



September 9, 2015  
Dwg No: SPLUG\_BARE6\_12 Rev: B (9/15)

FLOMATIC CORPORATION  
GLENS FALLS, N.Y. 12801  
PHONE (518) 761-9797  
FAX (518) 761-9798

# Eccentric Plug Valve

# Flo-E-Centric®

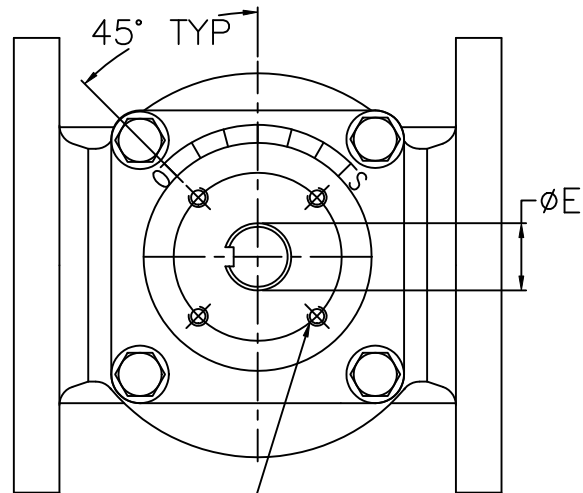
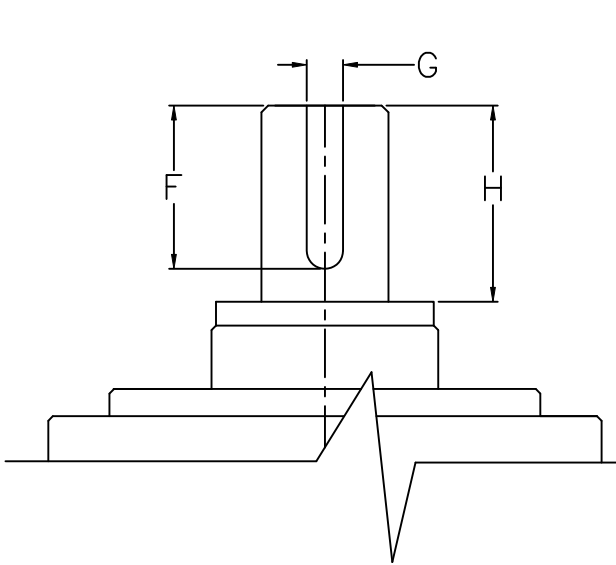
# Model 54-B



# Flomatic Corporation

Sizes 2" thru 12"/ 50mm thru 300mm  
Bare Stem Mounting

## Dimensions



(4) J TAPPED HOLES  
ON A ØK B.C.  
EQUALLY SPACED  
AS SHOWN

Size		Part #	ØE		F		G		H		J	K	
Inch	mm		Inch	mm	Inch	mm	Inch	mm	Inch	mm	Thread	Inch	mm
2	50	54200004B	.87	22	1.14	29	.31	8	1.18	30	M8	2.76	70
3	75	54000006B	1.10	28	1.42	36	.31	8	1.71	43.5	M8	2.76	70
4	100	54000007B	1.10	28	1.42	36	.31	8	1.71	43.5	M8	2.76	70
6	150	54000009B	1.42	36	1.85	47	.39	10	2.00	51	M10	4.02	102
8	200	54000010B	1.42	36	2.24	57	.39	10	2.40	61	M12	4.92	125
10	250	54000011B	1.89	48	3.23	82	.55	14	3.54	90	M20	6.50	165
12	300	54000012B	1.89	48	3.74	95	.55	14	3.76	95.5	M20	6.50	165

Flomatic Corporation can accept no responsibility for possible errors in catalogues, brochures and other printed material. Flomatic Corporation reserves the right to alter its products without notices. This also applies to product already agreed. All trademarks in this material are property of the respective companies. All right reserved. ©2015 Flomatic Corporation. The drawings & information on this drawing sheet are the sole & exclusive property of Flomatic Corporation. Any reproduction, distribution, display or use of these drawings or information in whole or in part without written authorization of Flomatic Corporation is strictly prohibited.



September 10, 2015  
S54mounting Rev: A (9/15)

FLOMATIC CORPORATION  
GLENS FALLS, N.Y. 12801  
PHONE (518) 761-9797  
FAX (518) 761-9798