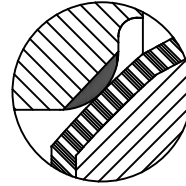
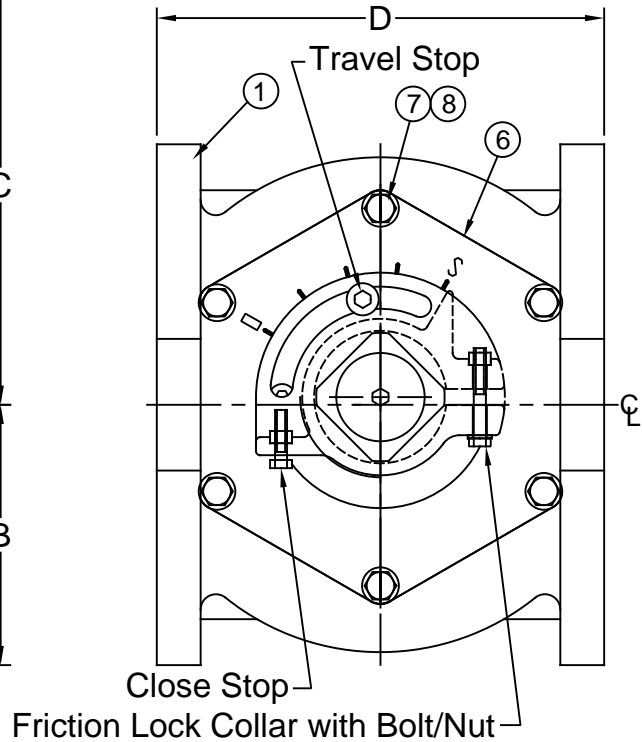
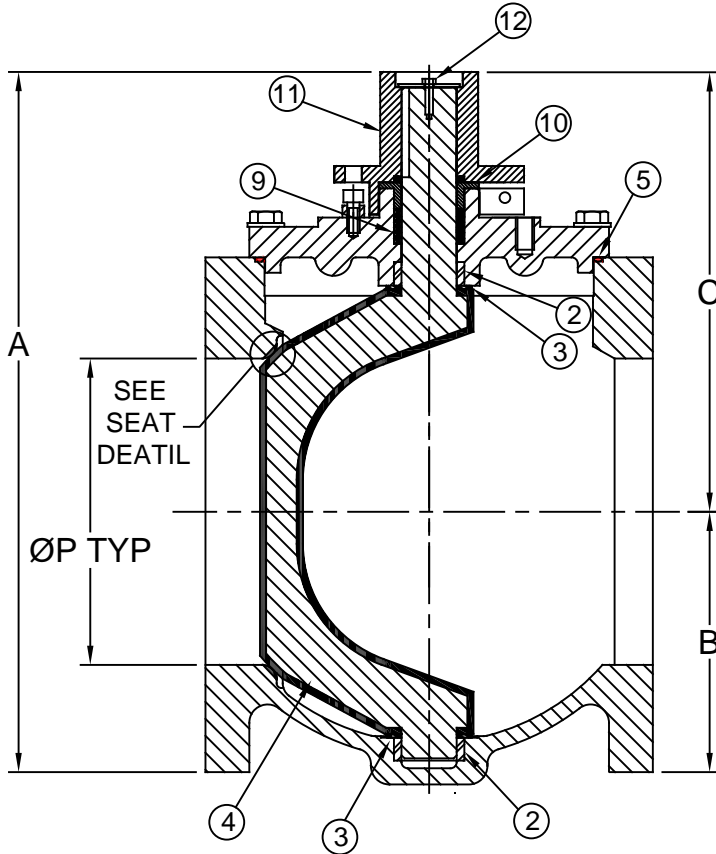


**Materials**



SEAT DETAIL  
Ni WELDED SEAT



Max Temp 180°F (82°C)  
Max Pressure 200psi (14bar)

Item #	Qty	Description	Material	ASTM	Item #	Qty	Description	Material	ASTM
1	1	Body	Ductile Iron	A536 (65-45-12)	7	6	Bolt	Stainless Steel	304
2	2	Bushing	Stainless Steel	316	8	6	Washer	Stainless Steel	304
3	2	Washer	PTFE	-----	9	5	V-Packing	NBR	-----
4	1	Plug	Ductile Iron/NBR	A536 (65-45-12)	10	1	Gland	Brass	B16
5	1	O-Ring	EPDM	-----	11	1	Nut*	Ductile Iron	A536 (65-45-12)
6	1	Bonnet	Ductile Iron	A536 (65-45-12)	12	1	Bolt/Washer	Carbon Steel	-----

\*Requires handle part number 1105-200-09 for correct operation

**Dimensions (150# ANSI B16.5 flanges)**

Valve Size		Part #	A		B		C		D		ØP		Weight	
inch	mm		inch	mm	inch	mm	inch	mm	inch	mm	inch	mm	lbs	kg
6	150	540000094	15.40	391	5.63	143	9.76	248	10.50	267	6.00	152	142	64
8	200	540000104	18.43	468	7.01	178	11.42	290	11.50	292	8.00	203	195	88

MANUFACTURED IN COMPLIANCE WITH AWWA C517 STANDARD

Flomatic Corporation can accept no responsibility for possible errors in catalogues, brochures and other printed material. Flomatic Corporation reserves the right to alter its products without notices. This also applies to product already agreed. All trademarks in this material are property of the respective companies. All right reserved. ©2017 Flomatic Corporation. The drawings & information on this drawing sheet are the sole & exclusive property of Flomatic Corporation. Any reproduction, distribution, display or use of these drawings or information in whole or in part without written authorization of Flomatic Corporation is strictly prohibited.