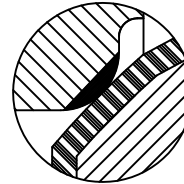
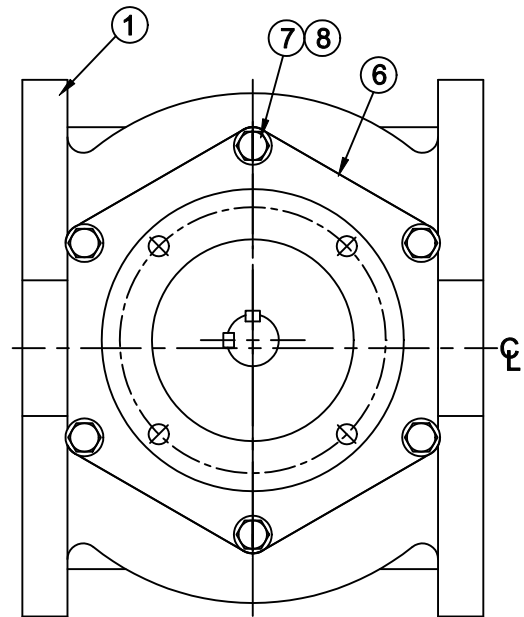
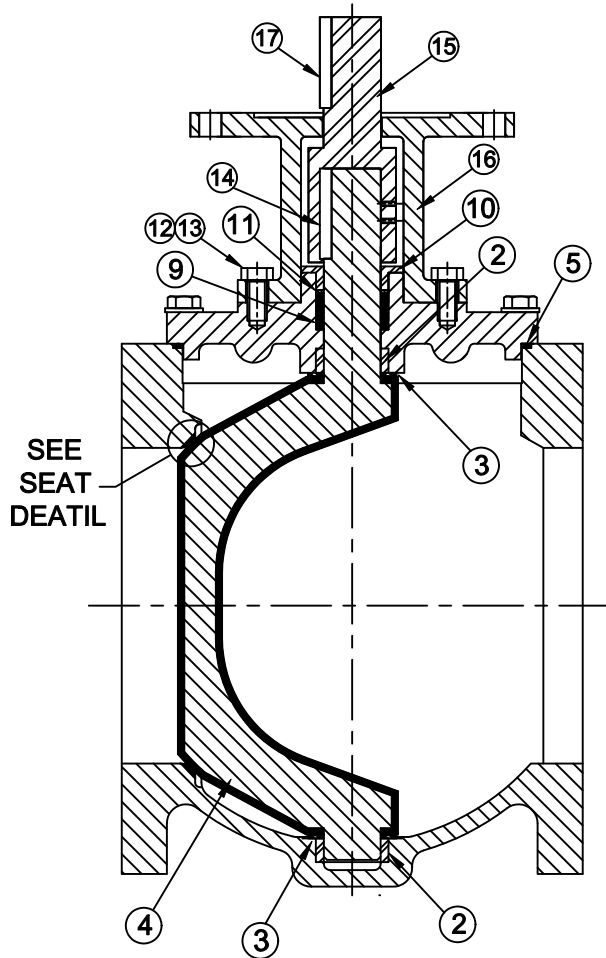


Sizes 6" thru 12"/ 10mm thru 300mm
ISO 5211 Mounting Bracket

Materials



SEAT DETAIL
NI WELDED SEAT



Max Temp 180°F (82°C)
Max Pressure 200 psi (14 bar)

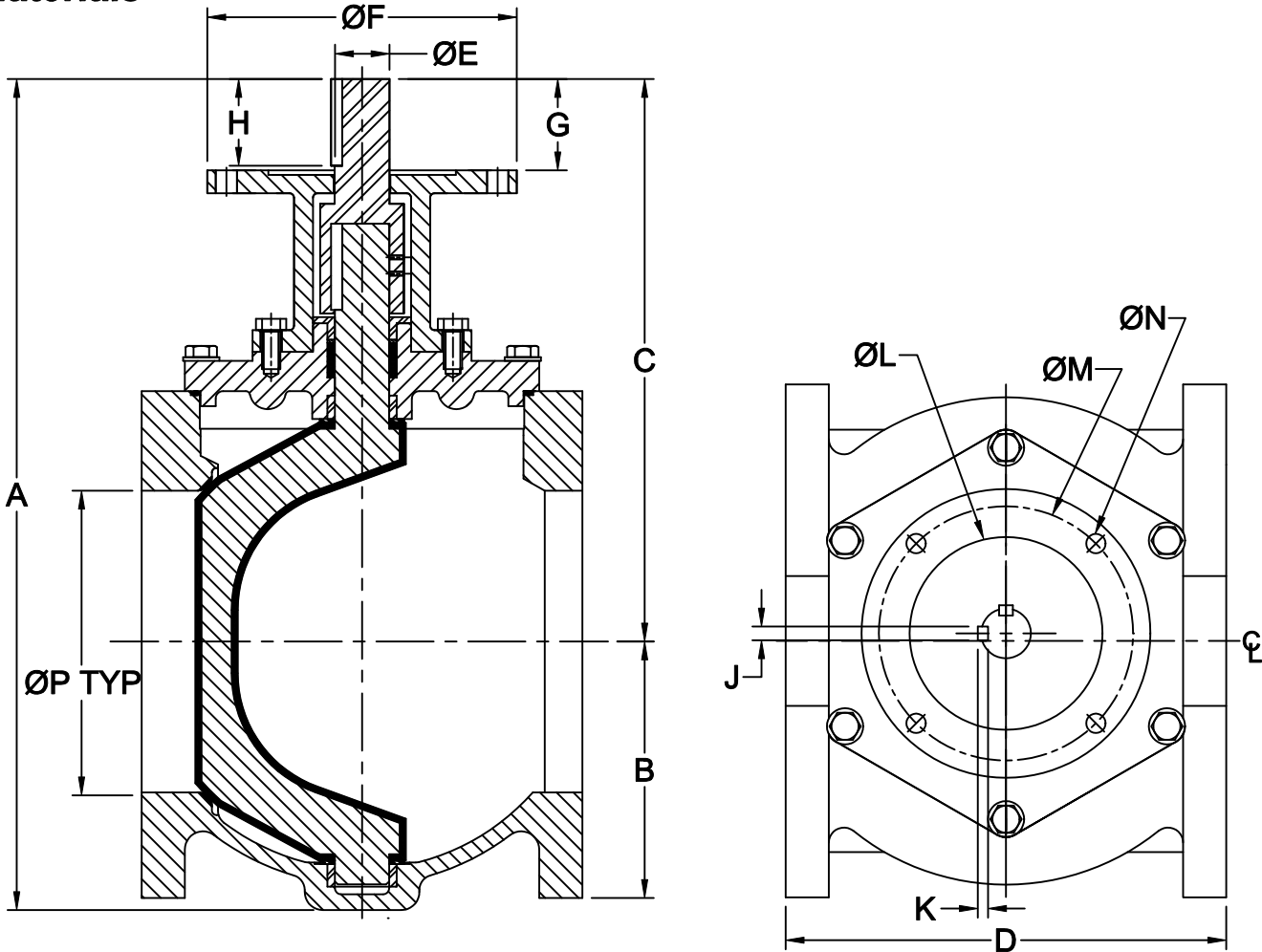
Item #	Qty	Description	Material	ASTM	Item #	Qty	Description	Material	ASTM
1	1	Body	Ductile Iron	A536 (65-45-12)	10	1	Packing Washer	Carbon Steel	1045, Cr Plated
2	2	Bushing	Stainless Steel	316	11	1	Washer	Brass	B16
3	2	Washer	PTFE	-----	12	4	Bolt	Carbon Steel	1045, Cr Plated
4	1	Plug	Ductile Iron/NBR	A536 (65-45-12)	13	4	Washer	Carbon Steel	1045, Cr Plated
5	1	O-Ring	EPDM	-----	14	1	Key*	Carbon Steel	1045
6	1	Bonnet	Ductile Iron	A536 (65-45-12)	15	1	Stem	Carbon Steel	1045, Cr Plated
7	4	Bolt	Stainless Steel	304	16	1	Shelf	Ductile Iron	A536 (65-45-12)
8	4	Washer	Stainless Steel	304	17	1	Key	Carbon Steel	1045
9	5	V-Packing	NBR	-----	*10" & 12" valves have (2) keyways				

MANUFACTURED IN COMPLIANCE WITH AWWA C517 STANDARD

Flomatic Corporation can accept no responsibility for possible errors in catalogues, brochures and other printed material. Flomatic Corporation reserves the right to alter its products without notices. This also applies to product already agreed. All trademarks in this material are property of the respective companies. All right reserved. ©2015 Flomatic Corporation. The drawings & information on this drawing sheet are the sole & exclusive property of Flomatic Corporation. Any reproduction, distribution, display or use of these drawings or information in whole or in part without written authorization of Flomatic Corporation is strictly prohibited.

Sizes 6" thru 12"/ 10mm thru 300mm
ISO 5211 Mounting Bracket

Materials



Dimensions (150# ANSI B16.5 flanges)

Valve Size		Part #	ISO Flange	A		B		C		D		ØE		ØF		G	
Inch	mm			Inch	mm	Inch	mm	Inch	mm	Inch	mm	Inch	mm	Inch	mm	Inch	mm
6	150	540000096	F10	17.83	453	5.63	143	12.20	310	10.50	267	1.42	36	4.92	125	2.17	55
8	200	540000106	F12	22.64	575	7.01	178	15.63	397	11.50	292	1.42	36	5.90	150	2.56	65
10	250	540000116	F16	29.72	755	8.86	225	20.87	530	13.00	330	1.89	48	8.27	210	3.74	95
12	300	540000126	F16	33.03	839	10.52	267	22.52	572	14.00	356	1.89	48	8.27	210	3.82	97

Valve Size		Part #	H (Key)		J (Key)		K (Key)		ØL		ØM		(4) ØN		ØP		Weight	
Inch	mm		Inch	mm	Inch	mm	Inch	mm	Inch	mm	Inch	mm	Inch	mm	Inch	mm	lbs	kg
6	150	540000096	1.77	45	.39	10	.31	8	2.75	70	4.02	102	.47	12	6.00	152	147	67
8	200	540000106	2.17	55	.39	10	.31	8	3.35	85	4.92	125	.55	14	8.00	203	210	95
10	250	540000116	3.15	80	.55	14	.35	9	5.12	130	6.50	165	.91	23	10.00	254	386	175
12	300	540000126	3.15	80	.55	14	.35	9	5.12	130	6.50	165	.91	23	12.00	305	481	218

Flomatic Corporation can accept no responsibility for possible errors in catalogues, brochures and other printed material. Flomatic Corporation reserves the right to alter its products without notices. This also applies to product already agreed. All trademarks in this material are property of the respective companies. All right reserved. ©2015 Flomatic Corporation. The drawings & information on this drawing sheet are the sole & exclusive property of Flomatic Corporation. Any reproduction, distribution, display or use of these drawings or information in whole or in part without written authorization of Flomatic Corporation is strictly prohibited.