

Eccentric Plug Valve

Flo-E-Centric®

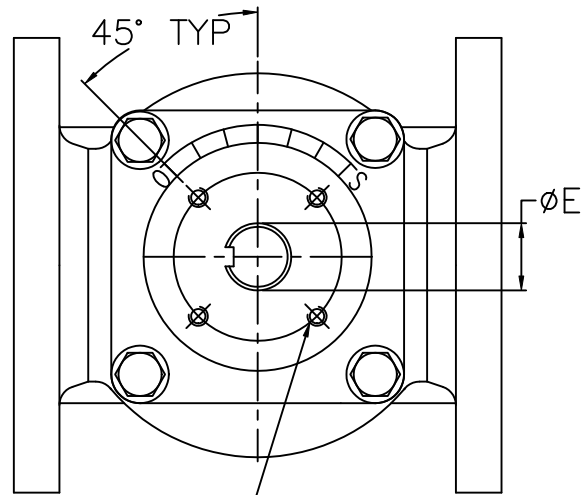
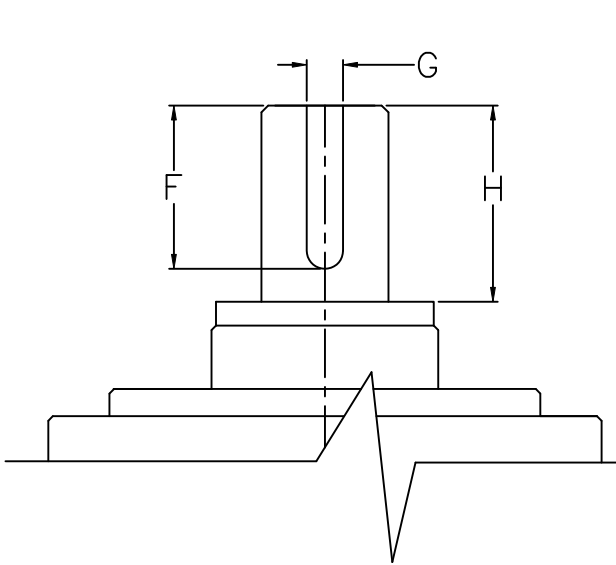
Model 54-B



Flomatic Corporation

Sizes 2" thru 12" / 50mm thru 300mm
Bare Stem Mounting

Dimensions



(4) J TAPPED HOLES
ON A ØK B.C.
EQUALLY SPACED
AS SHOWN

Size		Part #	ØE		F		G		H		J	K	
Inch	mm		Inch	mm	Inch	mm	Inch	mm	Inch	mm	Thread	Inch	mm
2	50	54200004B	.87	22	1.14	29	.31	8	1.18	30	M8	2.76	70
3	75	54000006B	1.10	28	1.42	36	.31	8	1.71	43.5	M8	2.76	70
4	100	54000007B	1.10	28	1.42	36	.31	8	1.71	43.5	M8	2.76	70
6	150	54000009B	1.42	36	1.85	47	.39	10	2.00	51	M10	4.02	102
8	200	54000010B	1.42	36	2.24	57	.39	10	2.40	61	M12	4.92	125
10	250	54000011B	1.89	48	3.23	82	.55	14	3.54	90	M20	6.50	165
12	300	54000012B	1.89	48	3.74	95	.55	14	3.76	95.5	M20	6.50	165

Flomatic Corporation can accept no responsibility for possible errors in catalogues, brochures and other printed material. Flomatic Corporation reserves the right to alter its products without notices. This also applies to product already agreed. All trademarks in this material are property of the respective companies. All right reserved. ©2015 Flomatic Corporation. The drawings & information on this drawing sheet are the sole & exclusive property of Flomatic Corporation. Any reproduction, distribution, display or use of these drawings or information in whole or in part without written authorization of Flomatic Corporation is strictly prohibited.



September 10, 2015
S54mounting Rev: A (9/15)

FLOMATIC CORPORATION
GLENS FALLS, N.Y. 12801
PHONE (518) 761-9797
FAX (518) 761-9798