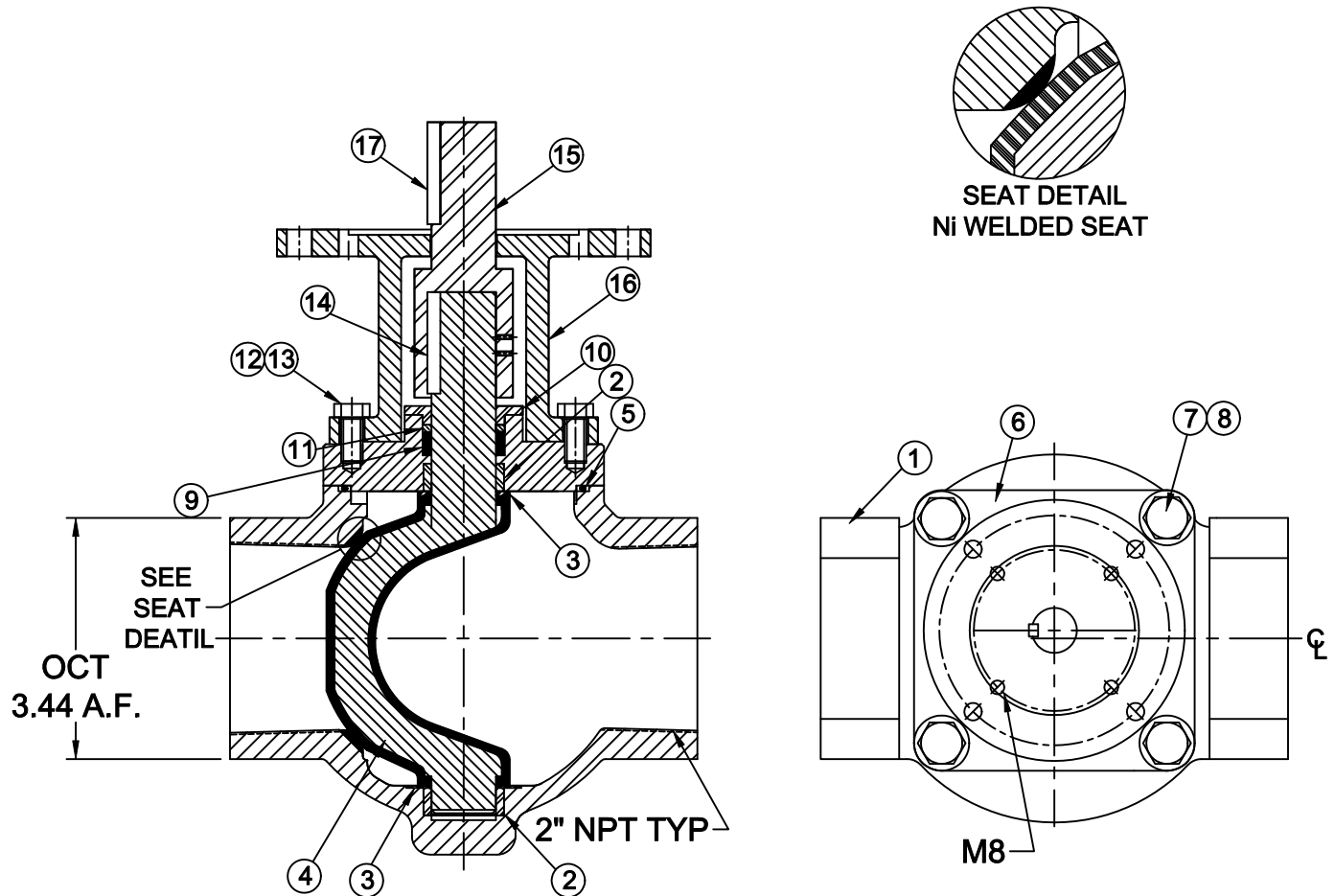


**Materials**



Max Temp 180°F (82°C)  
Max Pressure 200 psi (14 bar)

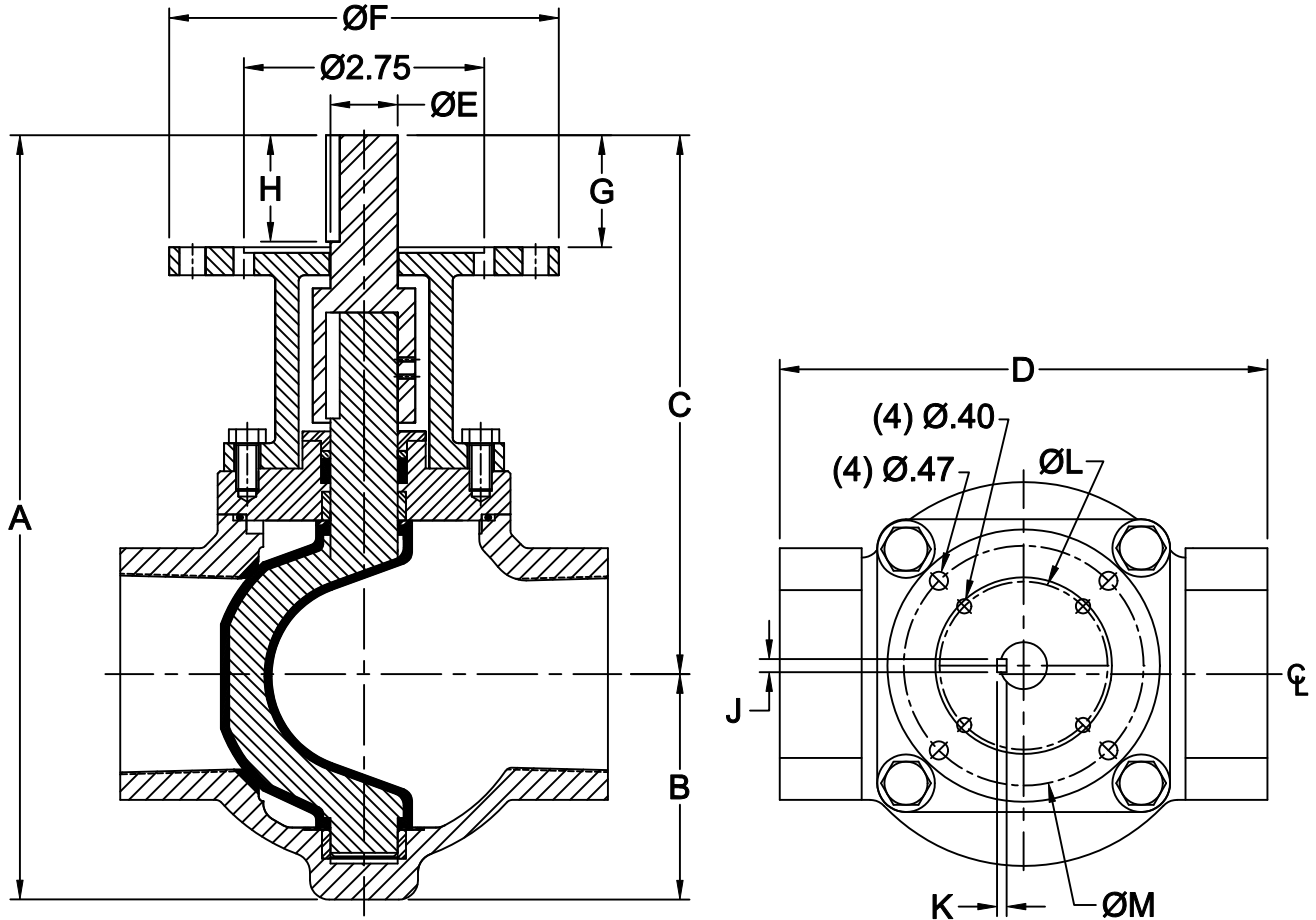
Item #	Qty	Description	Material	ASTM	Item #	Qty	Description	Material	ASTM
1	1	Body	Ductile Iron	A536 (65-45-12)	10	1	Packing Washer	Carbon Steel	1045, Cr Plated
2	2	Bushing	Stainless Steel	316	11	1	Washer	Brass	B16
3	2	Washer	PTFE	-----	12	4	Bolt	Carbon Steel	1045, Cr Plated
4	1	Plug	Ductile Iron/NBR	A536 (65-45-12)	13	4	Washer	Carbon Steel	1045, Cr Plated
5	1	O-Ring	EPDM	-----	14	1	Key	Carbon Steel	1045
6	1	Bonnet	Ductile Iron	A536 (65-45-12)	15	1	Stem	Carbon Steel	1045, Cr Plated
7	4	Bolt	Stainless Steel	304	16	1	Shelf	Ductile Iron	A536 (65-45-12)
8	4	Washer	Stainless Steel	304	17	1	Key	Carbon Steel	1045
9	5	V-Packing	NBR	-----					

**MANUFACTURED IN COMPLIANCE WITH AWWA C517 STANDARD**

Flomatic Corporation can accept no responsibility for possible errors in catalogues, brochures and other printed material. Flomatic Corporation reserves the right to alter its products without notices. This also applies to product already agreed. All trademarks in this material are property of the respective companies. All right reserved. ©2015 Flomatic Corporation. The drawings & information on this drawing sheet are the sole & exclusive property of Flomatic Corporation. Any reproduction, distribution, display or use of these drawings or information in whole or in part without written authorization of Flomatic Corporation is strictly prohibited.

Sizes 2"/ 50mm  
ISO 5211 MOUNTING BRACKET (F07 & F10)

Materials



Dimensions (NPT ANSI B1.20.1 threads)

Valve Size		Part #	A		B		C		D		ØE	
Inch	mm		Inch	mm	Inch	mm	Inch	mm	Inch	mm	Inch	mm
2	50	542000046	12.56	319	3.00	76	4.92	125	6.25	159	.87	22

Valve Size		Part #	ØF		G		H (Key)		J (Key)		K (Key)		ØL		ØM		Weight	
Inch	mm		Inch	mm	Inch	mm	Inch	mm	Inch	mm	Inch	mm	Inch	mm	Inch	mm	lbs	kg
2	50	542000046	4.92	125	1.77	45	1.38	35	.31	8	.18	4	2.75	70	4.02	102	21	10

Flomatic Corporation can accept no responsibility for possible errors in catalogues, brochures and other printed material. Flomatic Corporation reserves the right to alter its products without notices. This also applies to product already agreed. All trademarks in this material are property of the respective companies. All right reserved. ©2015 Flomatic Corporation. The drawings & information on this drawing sheet are the sole & exclusive property of Flomatic Corporation. Any reproduction, distribution, display or use of these drawings or information in whole or in part without written authorization of Flomatic Corporation is strictly prohibited.