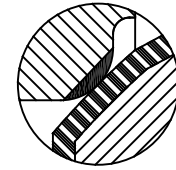
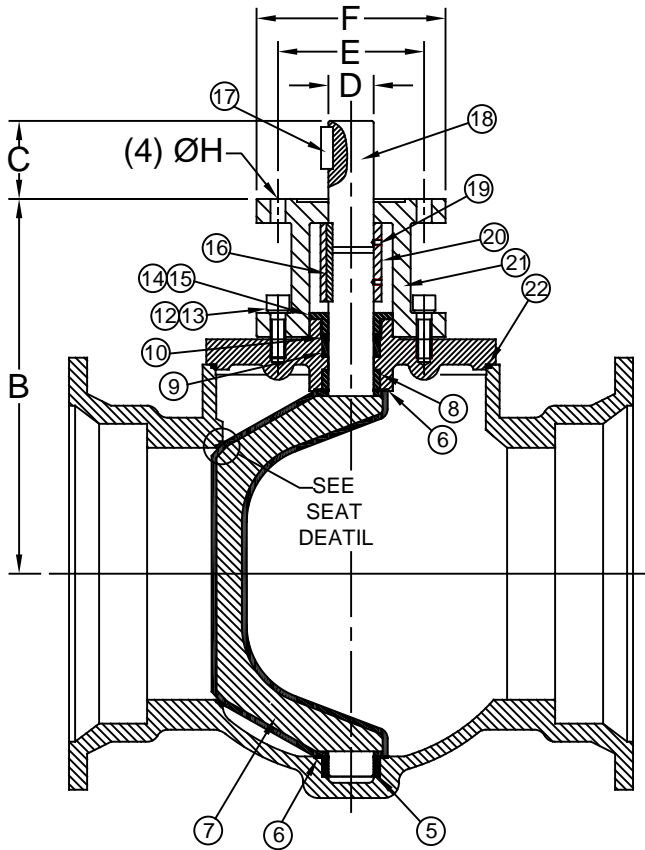
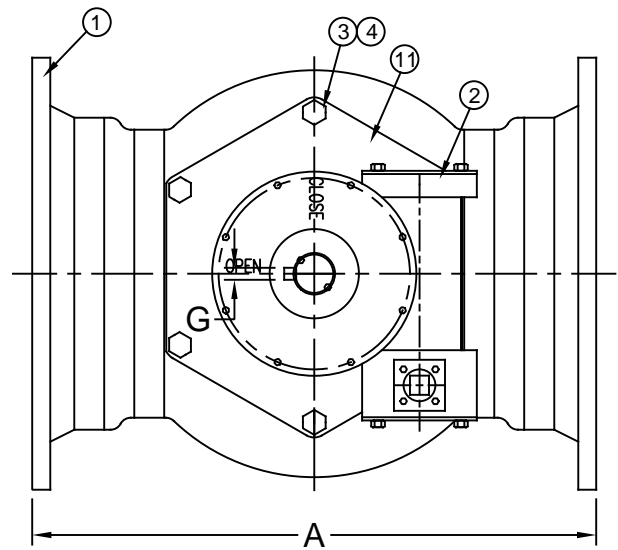


Sizes 6" thru 12" / 150mm thru 300mm
Gear Box - Buried Service

Materials



SEAT DETAIL
Ni WELDED SEAT



Max Temp 180°F (82°C)
Max Pressure 200 psi (14 bar)

Item #	Qty	Description	Material	ASTM	Item #	Qty	Description	Material	ASTM
1	1	Body	Ductile Iron	A536 (65-45-12)	12	4	Bolt	Carbon Steel	A307B
2	1	Gear Box	Ductile Iron	A536 (65-45-12)	13	4	Washer	Carbon Steel	A570
3	6	Bolt	Stainless Steel	304	14	1	Pad	Brass	C2800
4	6	Washer	Stainless Steel	304	15	1	Gland	Carbon Steel	1450
5	?	Bushing	Stainless Steel	316	16	1	Key	Carbon Steel	1450
6	2	Washer	PTFE	-----	17	1	Key	Carbon Steel	1450
7	1	Plug	DI w/ NBR	A536 (65-45-12)	18	1	Extended Shaft	Carbon Steel	1450
8	1	A-Packing	NBR	-----	19	2	Bolt	Carbon Steel	A307B
9	4	B-Packing	NBR	-----	20	1	Bushing	Carbon Steel	1450
10	1	C-Packing	NBR	-----	21	1	Shelf	Ductile Iron	A536 (65-45-12)
11	1	Cover	Ductile Iron	A536 (65-45-12)	22	1	O-ring	NBR	-----

MANUFACTURED IN COMPLIANCE WITH AWWA C517 STANDARD

Flomatic Corporation can accept no responsibility for possible errors in catalogues, brochures and other printed material. Flomatic Corporation reserves the right to alter its products without notices. This also applies to product already agreed. All trademarks in this material are property of the respective companies. All right reserved. ©2019 Flomatic Corporation. The drawings & information on this drawing sheet are the sole & exclusive property of Flomatic Corporation. Any reproduction, distribution, display or use of these drawings or information in whole or in part without written authorization of Flomatic Corporation is strictly prohibited. www.flomatic.com

Dimensions (Mechanical Joint ANSI/AWWA C111/A21.11 flanges)

Valve Size		Part #	A		B		C		ØD		ØE		ØF	
inch	mm		inch	mm	inch	mm	inch	mm	inch	mm	inch	mm	inch	mm
6	150	5430000097	15.75	400	10.78	274	2.24	57	1.42	36	4.02	102	4.92	125
8	200	5430000107	17.38	442	13.08	332	2.56	65	1.42	36	4.92	125	5.91	150
10	250	5430000117	19.37	492	17.13	435	3.74	95	1.89	48	6.50	165	8.27	210
12	300	5430000127	20.75	527	18.70	475	3.82	97	1.89	48	6.50	165	8.27	210

Valve Size		Part #	G		(4) ØH		Gearbox # of turns to close	Gearbox Ratio	Weight	
inch	mm		inch	mm	inch	mm			lbs	kg
6	150	5430000097	.39	10	.47	12	118	200:1	70	32
8	200	5430000107	.39	10	.55	14	118	200:1	146	66
10	250	5430000117	.55	14	.91	23	160	200:1	265	120
12	300	5430000127	.55	14	.91	23	160	200:1	342	155

MANUFACTURED IN
COMPLIANCE WITH
AWWA C517 STANDARD

Flomatic Corporation can accept no responsibility for possible errors in catalogues, brochures and other printed material. Flomatic Corporation reserves the right to alter its products without notices. This also applies to product already agreed. All trademarks in this material are property of the respective companies. All right reserved. ©2019 Flomatic Corporation. The drawings & information on this drawing sheet are the sole & exclusive property of Flomatic Corporation. Any reproduction, distribution, display or use of these drawings or information in whole or in part without written authorization of Flomatic Corporation is strictly prohibited. www.flomatic.com