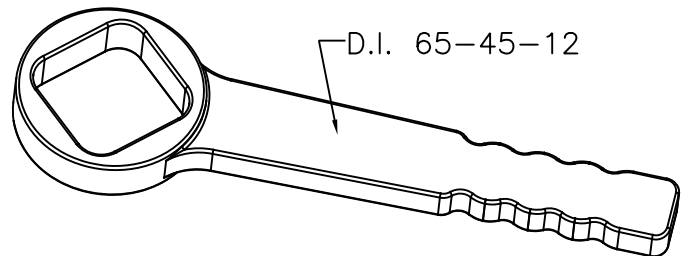
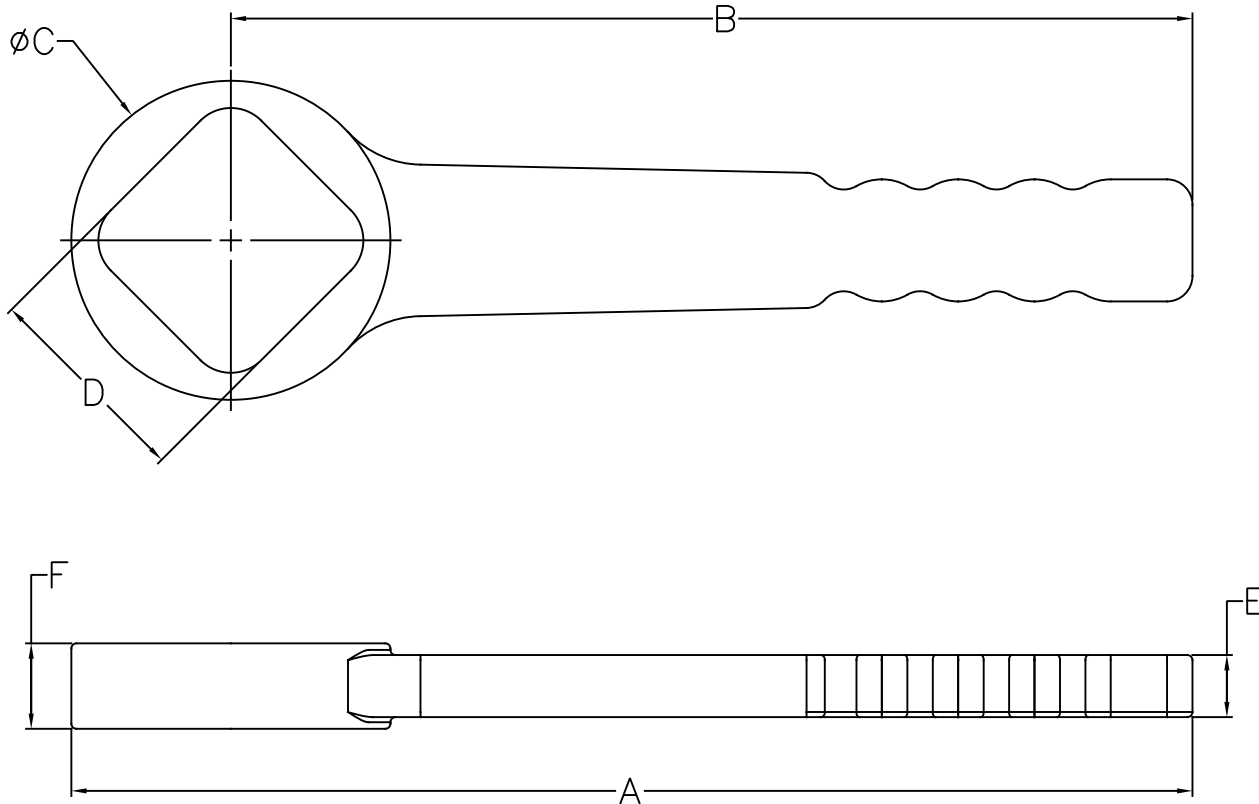


Sizes 2" / 50mm
Handle

Dimensions

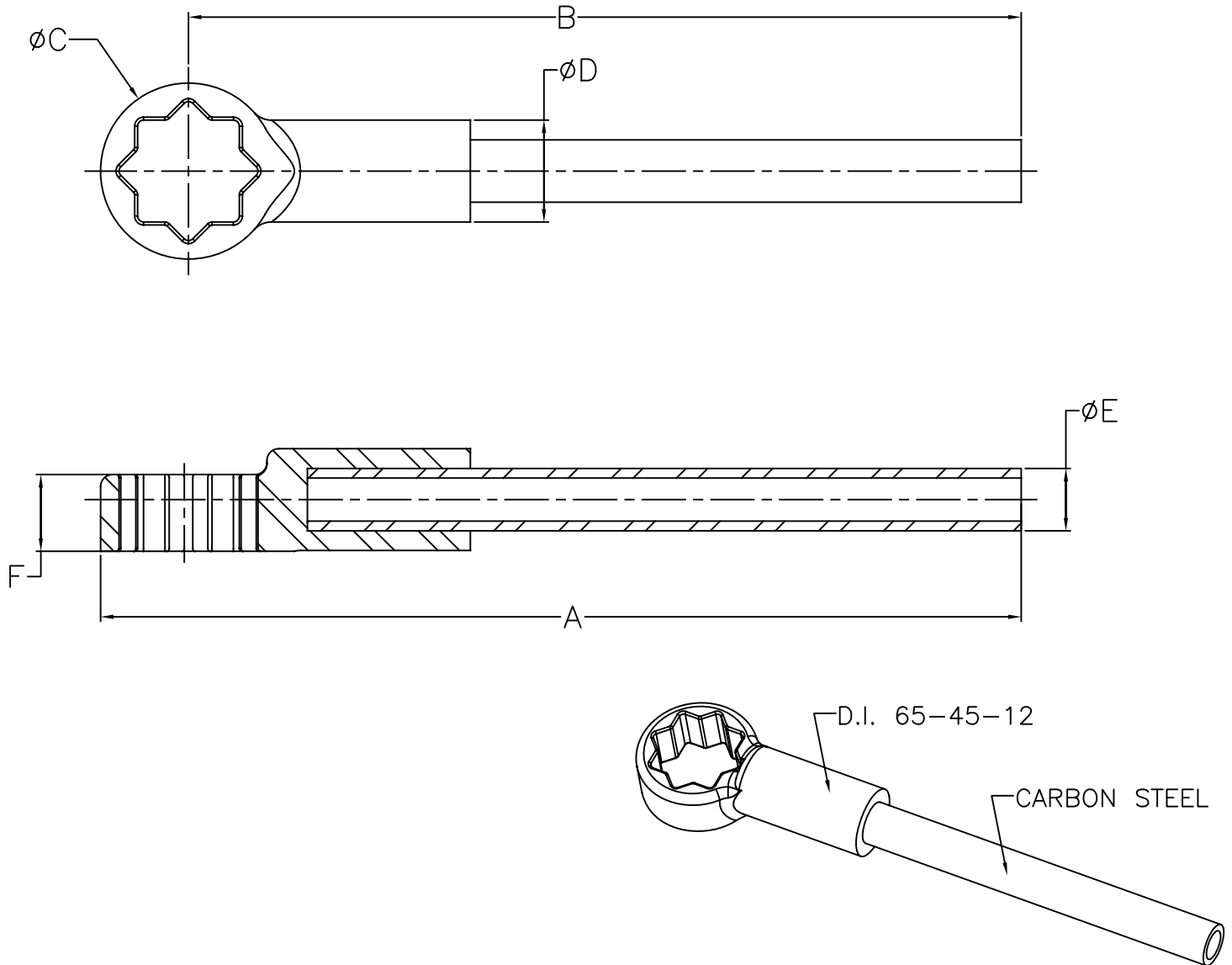


Size		Part #	A		B		$\varnothing C$		D		E		F		Weight	
inch	mm		inch	mm	inch	mm	inch	mm	inch	mm	inch	mm	inch	mm	lbs	kg
2	50	1105-50-11	11.02	280	9.45	240	3.14	80	2.09	53	.61	15.5	.84	21.3	2.15	1

Flomatic Corporation can accept no responsibility for possible errors in catalogues, brochures and other printed material. Flomatic Corporation reserves the right to alter its products without notices. This also applies to product already agreed. All trademarks in this material are property of the respective companies. All rights reserved. ©2023 Flomatic Corporation. The drawings & information on this drawing sheet are the sole & exclusive property of Flomatic Corporation. Any reproduction, distribution, display or use of these drawings or information in whole or in part without written authorization of Flomatic Corporation is strictly prohibited. www.flomatic.com

Sizes 3" thru 8" / 75mm thru 200mm
Handle

Dimensions



Size		Part #	A		B		$\varnothing C$		$\varnothing D$		$\varnothing E$		F	
inch	mm		inch	mm	inch	mm	inch	mm	inch	mm	inch	mm	inch	mm
3	75	1105-200-09	19.57	497	17.72	450	3.67	93	2.13	54	1.30	33	1.60	41
4	100	1105-200-09	19.57	497	17.72	450	3.67	93	2.13	54	1.30	33	1.60	41
6	150	1105-200-09	25.47	647	17.72	450	3.67	93	2.13	54	1.30	33	1.60	41
8	200	1105-200-09	25.47	647	17.72	450	3.67	93	2.13	54	1.30	33	1.60	41

Flomatic Corporation can accept no responsibility for possible errors in catalogues, brochures and other printed material. Flomatic Corporation reserves the right to alter its products without notices. This also applies to product already agreed. All trademarks in this material are property of the respective companies. All rights reserved. ©2023 Flomatic Corporation. The drawings & information on this drawing sheet are the sole & exclusive property of Flomatic Corporation. Any reproduction, distribution, display or use of these drawings or information in whole or in part without written authorization of Flomatic Corporation is strictly prohibited. www.flomatic.com