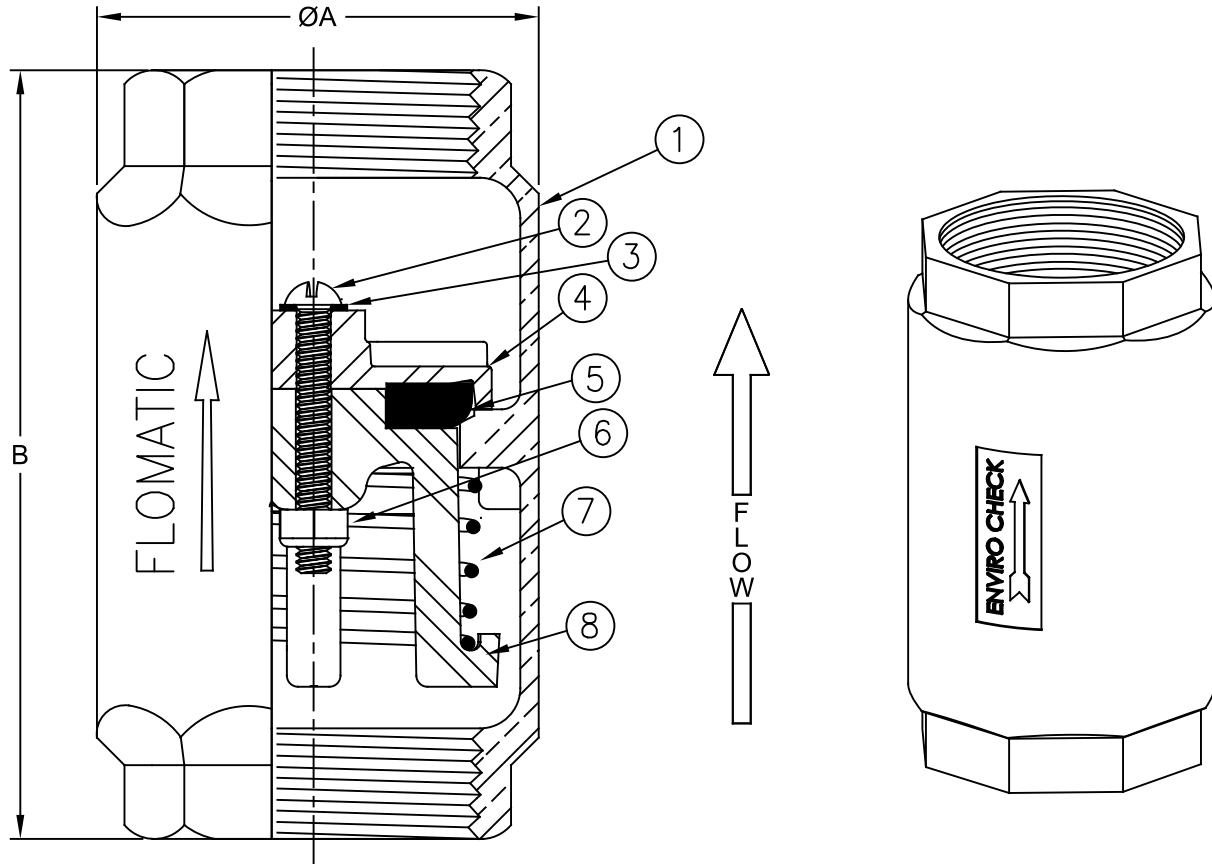




Materials



Max Temp 180°F (82°C)  
Max Pressure 400psi (28bar)

Item #	Qty	Description	Material	ASTM	Item #	Qty	Description	Material	ASTM
1	1	Body	Unleaded Bronze	C89833	5	1	Disc	Buna-N	N-5007
2	1	Screw	Stainless Steel	18-8	6	1	Spring	Stainless Steel	302
3	1	Wahser	Nylon	42A NCO10	7	1	Nut	Stainless Steel/Nylon	304/N200SL
4	1	Dome	Stainless Steel	304	8	1	Guide	Celcon®	M90

Dimensions (FNPT x FNPT)

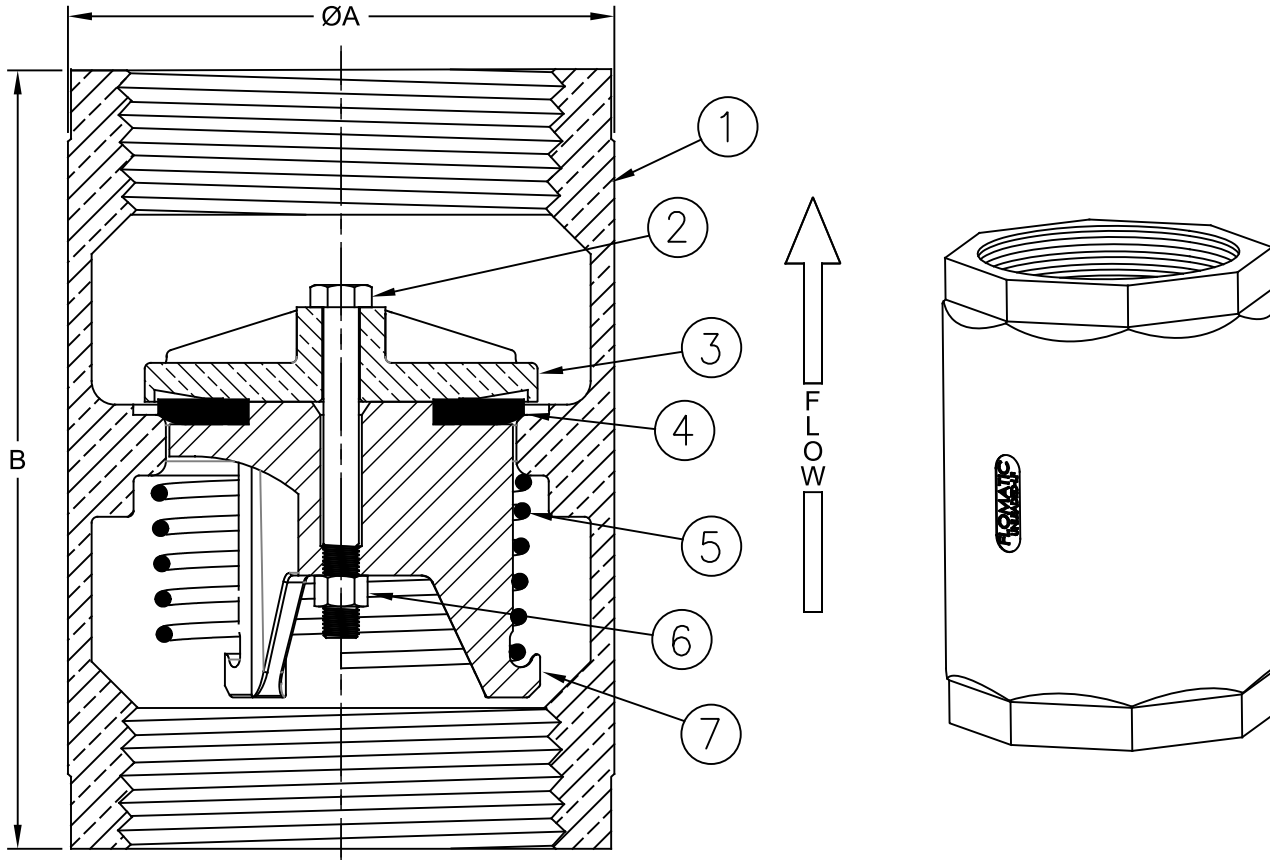
ANSI B1.20.1

Size		Part #	ØA		B		Weight	
inch	mm		inch	mm	inch	mm	lbs	kg
2	50	4034E	3	76	5-1/4	133	3.5	1.4

Flomatic Corporation can accept no responsibility for possible errors in catalogues, brochures and other printed material. Flomatic Corporation reserves the right to alter its products without notices. This also applies to product already agreed. All trademarks in this material are property of the respective companies. All rights reserved. ©2020 Flomatic Corporation. The drawings & information on this drawing sheet are the sole & exclusive property of Flomatic Corporation. Any reproduction, distribution, display or use of these drawings or information in whole or in part without written authorization of Flomatic Corporation is strictly prohibited. www.flomatic.com



Materials



Max Temp 180°F (82°C)  
Max Pressure 400psi (28bar)

Item #	Qty	Description	Material	ASTM	Item #	Qty	Description	Material	ASTM
1	1	Body	Unleaded Bronze	C89833	5	1	Spring**	Stainless Steel	302
2	1	Bolt	Stainless Steel	18-8	6	1	Nut	Stainless Steel	304
3	1	Dome*	Unleaded Bronze	C89833	7	1	Guide**	Unleaded Bronze	C89833
4	1	Disc	Buna-N	N5007	*Washer (Dome) for 2-1/2" is Stainless Steel 304 **Guide & spring for 4" is 316 Stainless Steel 316				

Dimensions (FNPT x FNPT)

ANSI B1.20.1

Size		Part #	ØA		B		Weight	
inch	mm		inch	mm	inch	mm	lbs	kg
2-1/2	65	4035E	3-11/16	94	6-1/16	154	6.5	3
3	80	4036E	4-17/32	115	7	178	13	5.9
4	100	4037E	5-3/4	146	8-1/4	210	24	10.9

Flomatic Corporation can accept no responsibility for possible errors in catalogues, brochures and other printed material. Flomatic Corporation reserves the right to alter its products without notices. This also applies to product already agreed. All trademarks in this material are property of the respective companies. All rights reserved. ©2021 Flomatic Corporation. The drawings & information on this drawing sheet are the sole & exclusive property of Flomatic Corporation. Any reproduction, distribution, display or use of these drawings or information in whole or in part without written authorization of Flomatic Corporation is strictly prohibited. www.flomatic.com