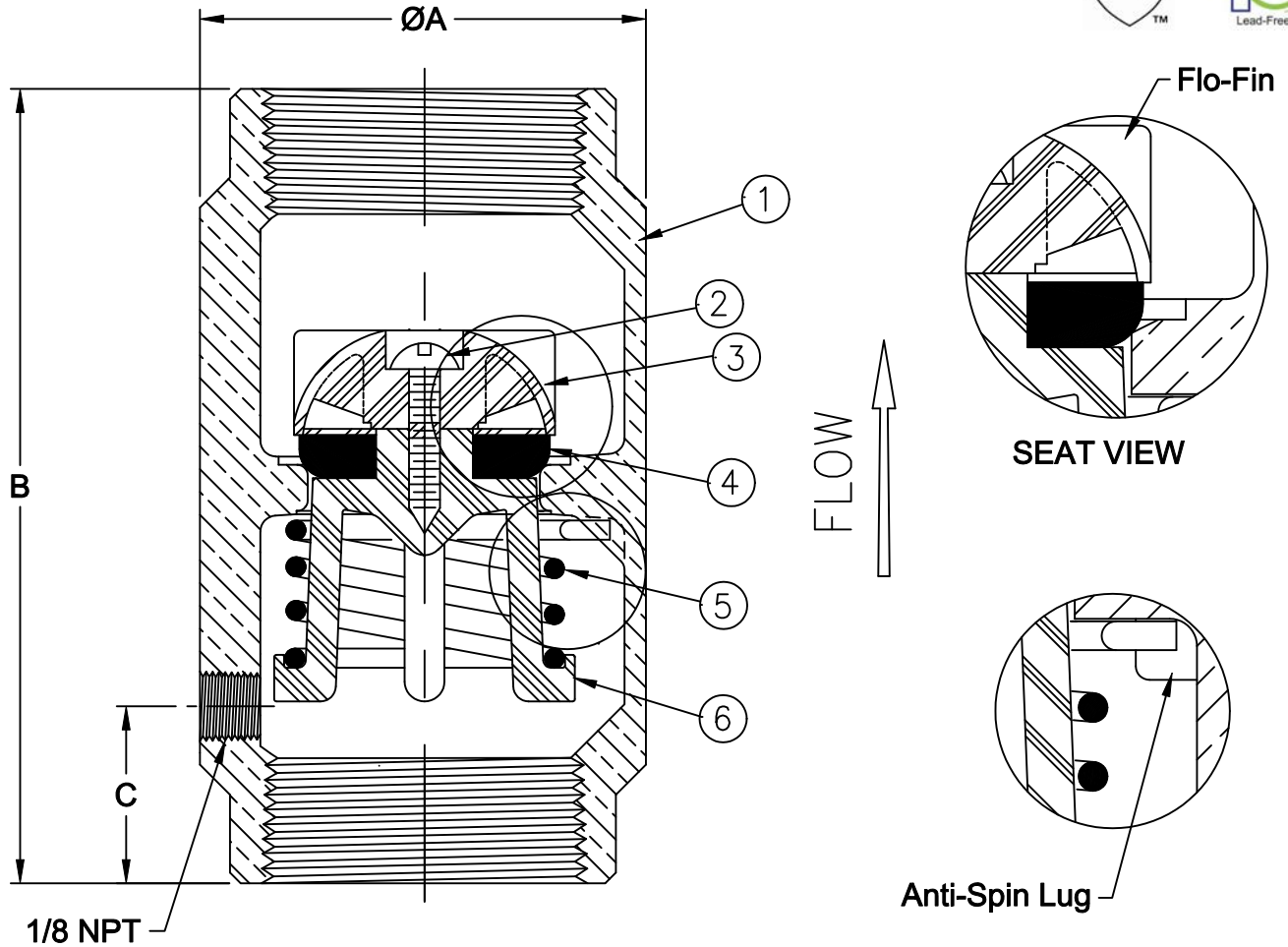




Materials



Temp Max: 180°F
Pressure Max: 400 psi

Item #	Qty	Description	Material	ASTM
1	1	Body	Unleaded Bronze	C89833
2	1	Screw	Stainless Steel	18-8
3	1	Dome	Delrin	-----
4	1	Disc	Buna-n	-----
5	1	Spring	Stainless Steel	18-8
6	1	Guide	Delrin	-----

Dimensions

Patent # 4,971,093 & 6,581,633

Size		Part #	A		B		C		Weight	
inch	mm		inch	mm	inch	mm	inch	mm	lbs	kg
1	25	4041E	1-7/8	48	3-3/4	95	15/16	24	1-5/16	.60
1-1/4	32	4042E	2-3/16	56	4-3/16	106	15/16	24	1-5/8	.74
1-1/2	40	4043E	2-9/16	65	4-5/8	117	1-1/32	26	2-1/2	1.13

Flomatic Corporation can accept no responsibility for possible errors in catalogues, brochures and other printed material. Flomatic Corporation reserves the right to alter its products without notices. This also applies to product already agreed. All trademarks in this material are property of the respective companies. All right reserved. ©2011 Flomatic Corporation. The drawings & information on this drawing sheet are the sole & exclusive property of Flomatic Corporation. Any reproduction, distribution, display or use of these drawings or information in whole or in part without written authorization of Flomatic Corporation is strictly prohibited.