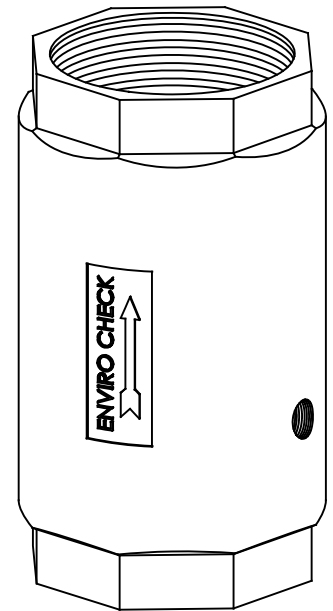
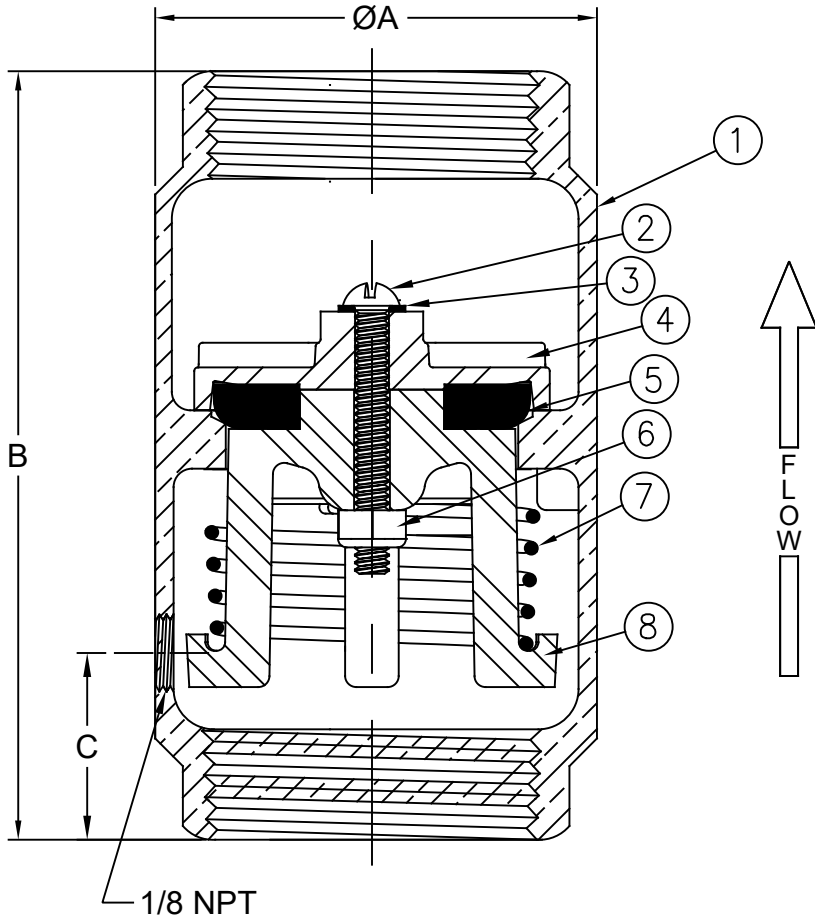




Materials



Temp Max: 180°F (82°C)
Pressure Max: 400 psi (28 bar)

Item #	Qty	Description	Material	ASTM	Item #	Qty	Description	Material	ASTM
1	1	Body	Unleaded Bronze	C89833	5	1	Disc	Buna-n	-----
2	1	Screw	Stainless Steel	18-8	6	1	Nut	SS/Nylon	304
3	1	Washer	Nylon	-----	7	1	Spring	Stainless Steel	302
4	1	Dome	Stainless Steel	304	8	1	Guide	Celcon	-----

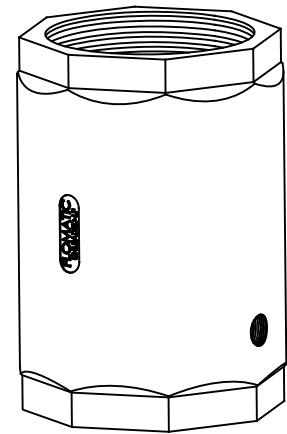
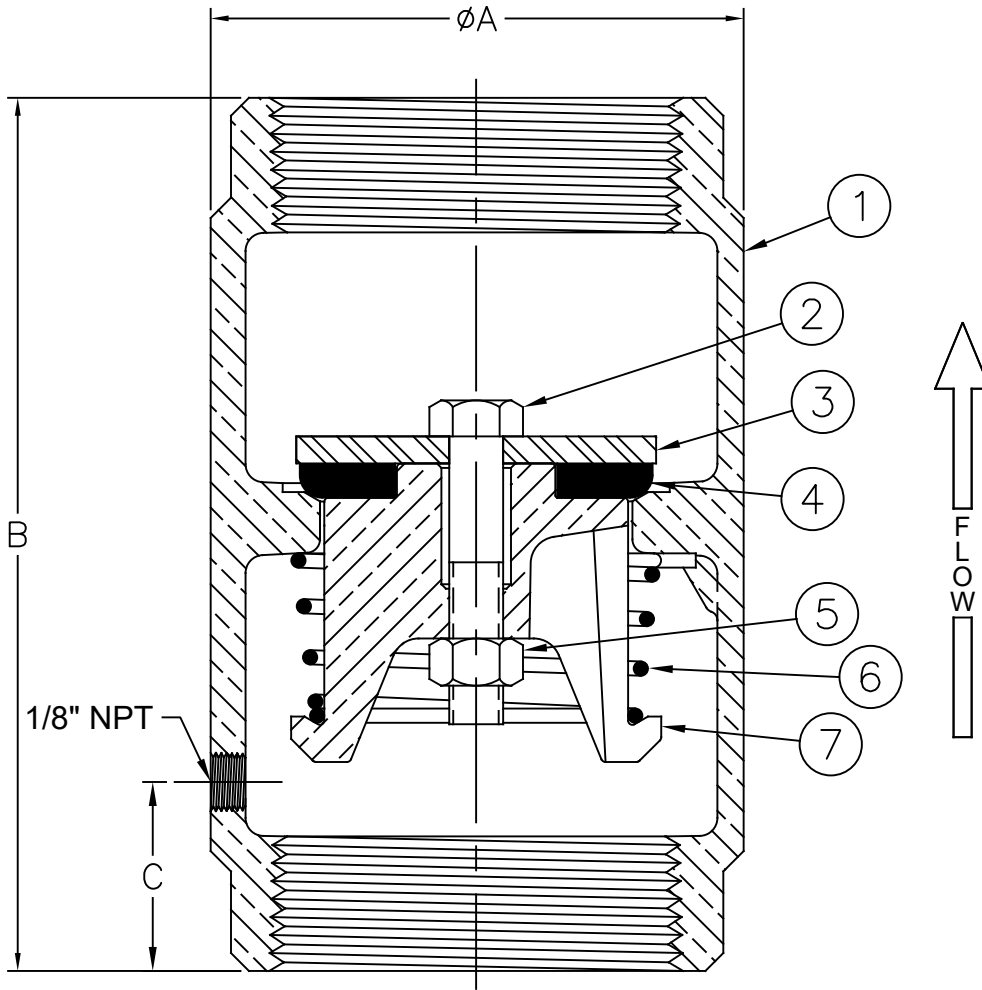
Dimensions (FNPT)

ANSI B1.20.1

Size		Part #	A		B		C		Weight	
inch	mm		inch	mm	inch	mm	inch	mm	lbs	kg
2	50	4044E	3	76	5-1/4	133	1-1/32	26	3-7/64	1.4

Flomatic Corporation can accept no responsibility for possible errors in catalogues, brochures and other printed material. Flomatic Corporation reserves the right to alter its products without notices. This also applies to product already agreed. All trademarks in this material are property of the respective companies. All rights reserved. ©2021 Flomatic Corporation. The drawings & information on this drawing sheet are the sole & exclusive property of Flomatic Corporation. Any reproduction, distribution, display or use of these drawings or information in whole or in part without written authorization of Flomatic Corporation is strictly prohibited. www.flomatic.com

Materials



Temp Max: 180°F (82°C)
Pressure Max: 400 psi (28 bar)

Item #	Qty	Description	Material	ASTM	Item #	Qty	Description	Material	ASTM
1	1	Body	Unleaded Bronze	C89833	5	1	Nut	Stainless Steel	304
2	1	Bolt	Stainless Steel	18-8	6	1	Spring*	Stainless Steel	302
3	1	Washer	Stainless Steel	18-8	7	1	Guide*	Unleaded Bronze	C89833
4	1	Disc	Buna-n	N-5007					

*Spring & Guide for 4" is 316 Stainless Steel

Dimensions (FNPT)

ANSI B1.20.1

Size		Part #	A		B		C		Weight	
inch	mm		inch	mm	inch	mm	inch	mm	lbs	kg
2-1/2	65	4045E	3-11/16	94	6-1/16	154	1-5/16	33	6-1/2	3
3	80	4046E	4-17/32	115	7	178	1-1/2	38	13	5.9
4	100	4047E	5-3/4	146	8-1/4	210	1-3/4	44	24	10.9

Flomatic Corporation can accept no responsibility for possible errors in catalogues, brochures and other printed material. Flomatic Corporation reserves the right to alter its products without notices. This also applies to product already agreed. All trademarks in this material are property of the respective companies. All rights reserved. ©2021 Flomatic Corporation. The drawings & information on this drawing sheet are the sole & exclusive property of Flomatic Corporation. Any reproduction, distribution, display or use of these drawings or information in whole or in part without written authorization of Flomatic Corporation is strictly prohibited. www.flomatic.com