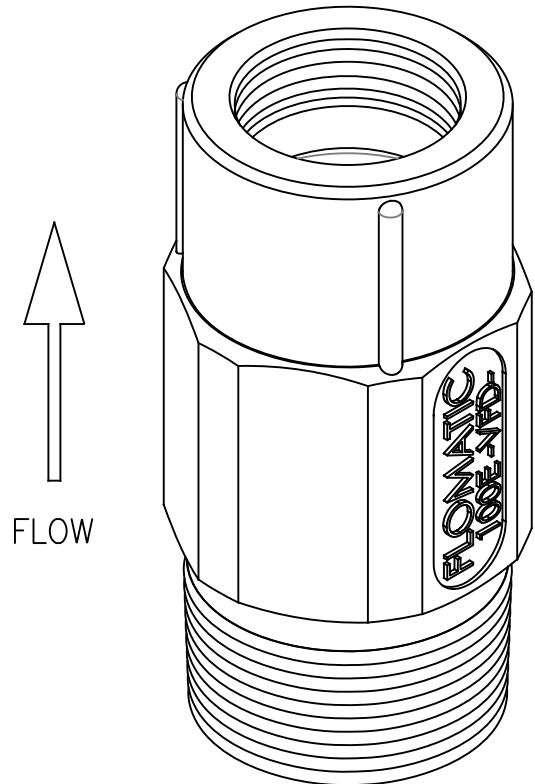
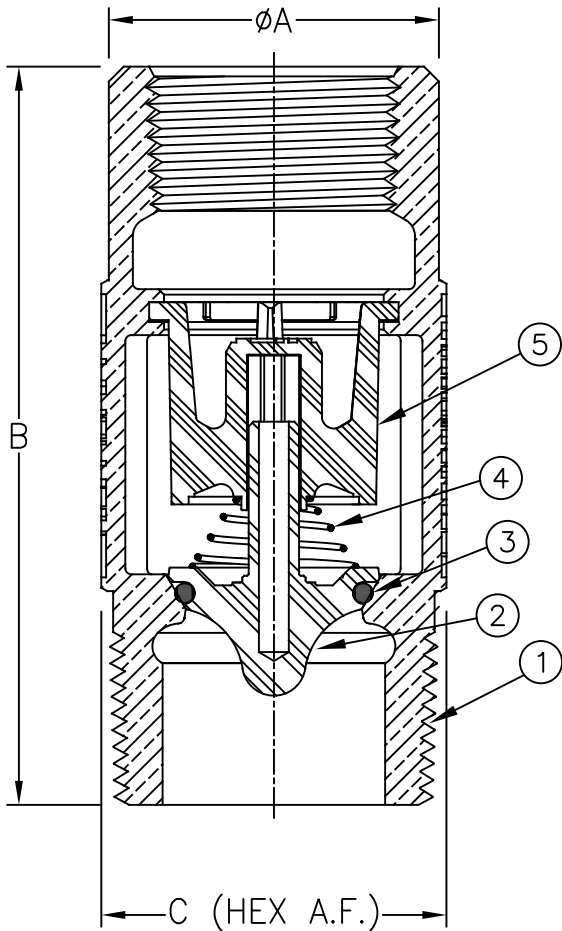


Sizes 1-1/4" M & 1" F / 32mm x 25mm
 1-1/2" M & 1-1/4" F / 40mm x 32mm

Flomatic Corporation



Materials



Max Temp 180°F (82°C)
 Max Pressure 400psi (28bar)

Item #	Qty	Description	Material	ASTM
1	1	Body	Unleaded Bronze	C89833
2	1	Poppet*	Delrin	100 Black
3	1	O'Ring	Buna-N	-----
4	1	Spring	Stainless Steel	302
5	1	Guide	Delrin	100 Black

*Optional 304SS poppet available

Dimensions (MNPT inlet X FNPT outlet)

Size		Part #	A		B		C		Weight	
inch	mm		inch	mm	inch	mm	inch	mm	lbs	kg
1-1/4" M X 1" F	32mm x 25mm	4221EVFD	1-23/32	44	3-27/32	98	1-29/32	48	1.22	.55
1-1/4" M X 1" F	32mm x 25mm	4221ESVFD	1-23/32	44	3-27/32	98	1-29/32	48	1.41	.64
1-1/2" M x 1-1/4" F	40mm x 32mm	4223EVFD	2	51	4-29/64	113	2-1/4	57	1.53	.69
1-1/2" M x 1-1/4" F	40mm x 32mm	4223ESVFD	2	51	4-29/64	113	2-1/4	57	1.65	.75

Flomatic Corporation can accept no responsibility for possible errors in catalogues, brochures and other printed material. Flomatic Corporation reserves the right to alter its products without notices. This also applies to product already agreed. All trademarks in this material are property of the respective companies. All right reserved. ©2018 Flomatic Corporation. The drawings & information on this drawing sheet are the sole & exclusive property of Flomatic Corporation. Any reproduction, distribution, display or use of these drawings or information in whole or in part without written authorization of Flomatic Corporation is strictly prohibited.