

Enviro® Check Valve

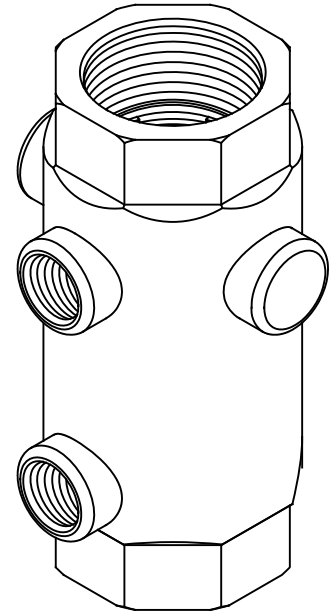
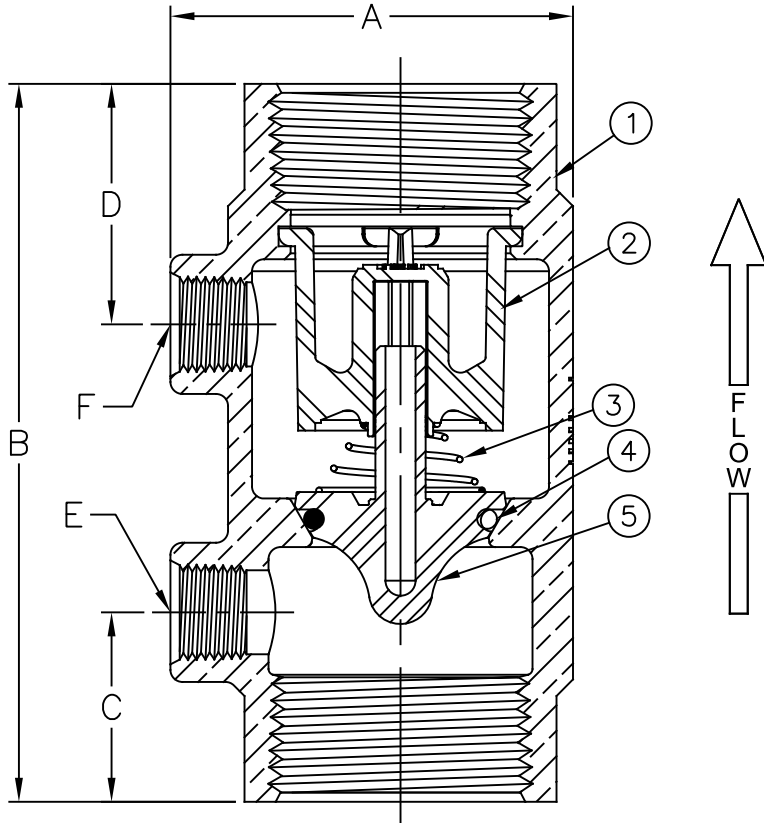
Model 80BEVFD



Sizes 1-1/4" / 32 mm
Double Tap

Materials

LEAD FREE
NSF/ANSI 61



Max Temp 180°F (82°C)
Max Pressure 400 psi (28bar)

Item #	Qty	Description	Material	ASTM	Item #	Qty	Description	Material	ASTM
1	1	Body	Unleaded Bronze	C89833	4	1	O-Ring	Buna-N	N6000AA
2	1	Stem Guide	Celcon®	M90	5	1	Poppet*	Celcon®	M90
3	1	Spring	Stainless Steel	302	*Optional SS add an S between E & VFD				

Dimensions (FNPT X FNPT)

Patent #'s 8,978,696 & D718,429

ANSI B1.20.1

Size		Part #	A		B		C		D		E (Inlet NPT)	F (Outlet NPT)	Weight	
inch	mm		inch	mm	inch	mm	inch	mm	inch	mm	inch	inch	lbs	kg
1-1/4	32	4052EVFD	2-3/8	60	4-19/32	117	1-3/16	29	1-23/32	44	1/8	1/4	2	.91
1-1/4	32	7972EVFD	2-3/8	60	4-19/32	117	1-3/16	29	1-23/32	44	1/4	1/4	2	.91
1-1/4	32	7952EVFD	2-3/8	60	4-19/32	117	1-3/16	29	1-23/32	44	1/8	1/8	2	.91

Flomatic Corporation can accept no responsibility for possible errors in catalogues, brochures and other printed material. Flomatic Corporation reserves the right to alter its products without notices. This also applies to product already agreed. All trademarks in this material are property of the respective companies. All rights reserved. ©2021 Flomatic Corporation. The drawings & information on this drawing sheet are the sole & exclusive property of Flomatic Corporation. Any reproduction, distribution, display or use of these drawings or information in whole or in part without written authorization of Flomatic Corporation is strictly prohibited. www.flomatic.com



April 18, 2017
Dwg No: S4052EVFD Rev: C (2/21)

FLOMATIC CORPORATION
GLENS FALLS, N.Y. 12801
PHONE (518) 761-9797
FAX (518) 761-9798