

Ductile Iron Check Valve

Model 80DI TURBO

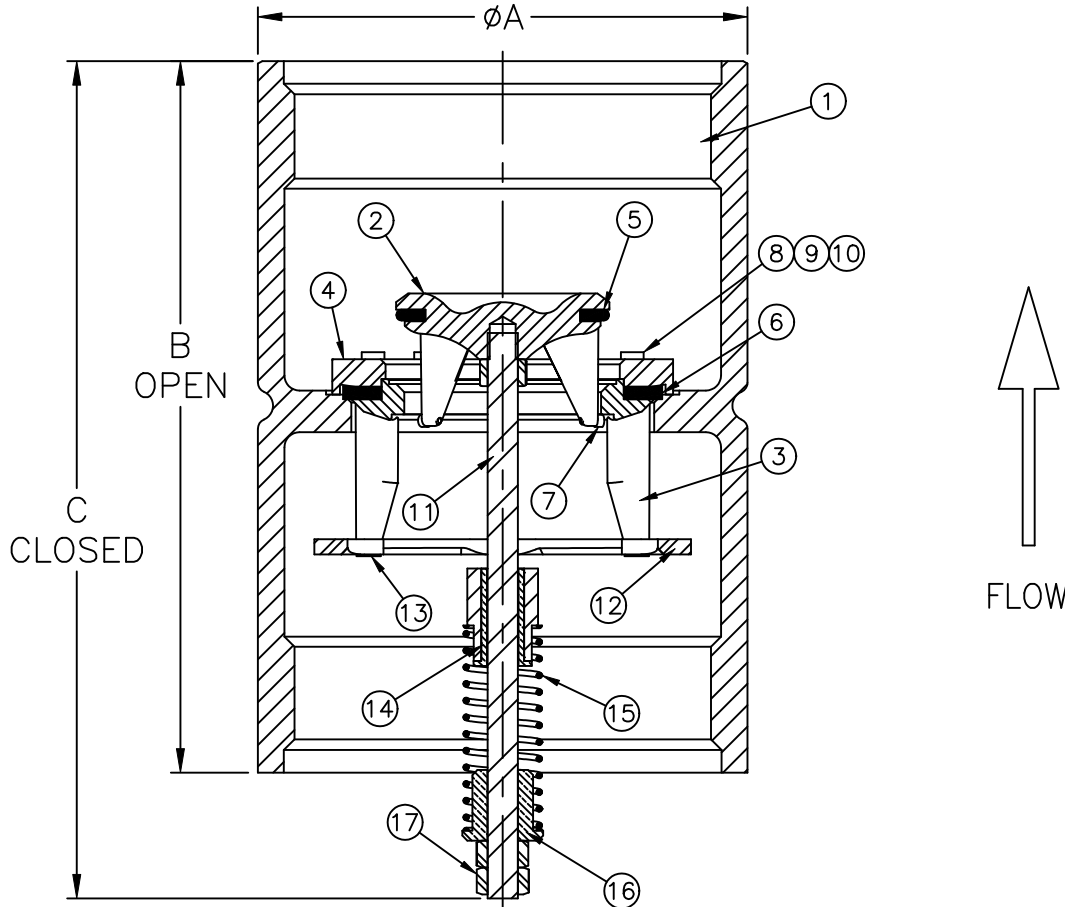


Flomatic Corporation

Sizes 10" / 250mm



Materials



THIS VALVE IS DESIGNED FOR VERTICAL INSTALLATIONS ONLY

Item #	Qty	Description	Material	ASTM	Item #	Qty	Description	Material	ASTM
1	1	Body (Epoxy Coated)	Ductile Iron	A536	10	5	Socket Head Cap Screw	Stainless Steel	304
2	1	Poppet (Epoxy Coated)	Ductile Iron	A536	11	1	Shaft	Stainless Steel	304
3	1	Poppet (Epoxy Coated)	Ductile Iron	A536	12	1	Retainer (Epoxy Coated)	Stainless Steel	304
4	1	Retainer (Epoxy Coated)	CRS	---	13	5	Flat Head Cap Screw	Stainless Steel	18-8
5	1	Disc	Buna-n	---	14	1	Bushing	Bronze	B140
6	1	Disc	Buna-n	---	15	1	Spring	Stainless Steel	302
7	3	Socket Head Cap Screw	Stainless Steel	18-8	16	1	Spring Retainer	Bronze	B140
8	5	Spacers	Stainless Steel	304	17	3	Nut	Stainless Steel	18-8
9	5	Socket Head Cap Screw	Stainless Steel	304					

Dimensions

Max Temp 180°F (82°C)
Max Pressure 400psi (24bar)

PATENT # 5,176,171

Size		Part #	A		B		C		Weight	
inch	mm		inch	mm	inch	mm	inch	mm	lbs	kg
10	250	4091T	12-1/8	308	17-5/8	448	20-3/4	527	155	70

Flomatic Corporation can accept no responsibility for possible errors in catalogues, brochures and other printed material. Flomatic Corporation reserves the right to alter its products without notices. This also applies to product already agreed. All trademarks in this material are property of the respective companies. All right reserved. ©2011 Flomatic Corporation. The drawings & information on this drawing sheet are the sole & exclusive property of Flomatic Corporation. Any reproduction, distribution, display or use of these drawings or information in whole or in part without written authorization of Flomatic Corporation is strictly prohibited.



May 26, 1994
Dwg No: S4091T Rev: F (2/16)

FLOMATIC CORPORATION
GLENS FALLS, N.Y. 12801
PHONE (518) 761-9797
FAX (518) 761-9798