

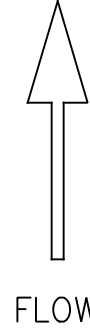
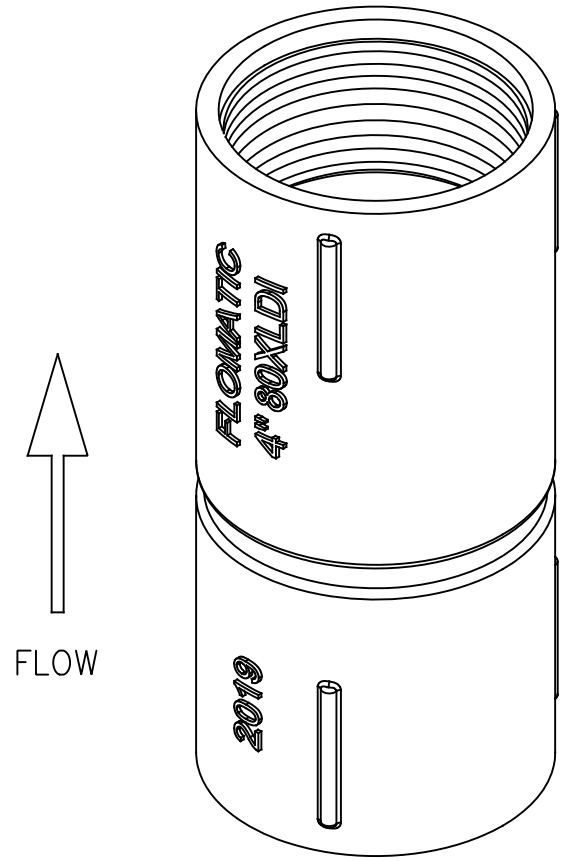
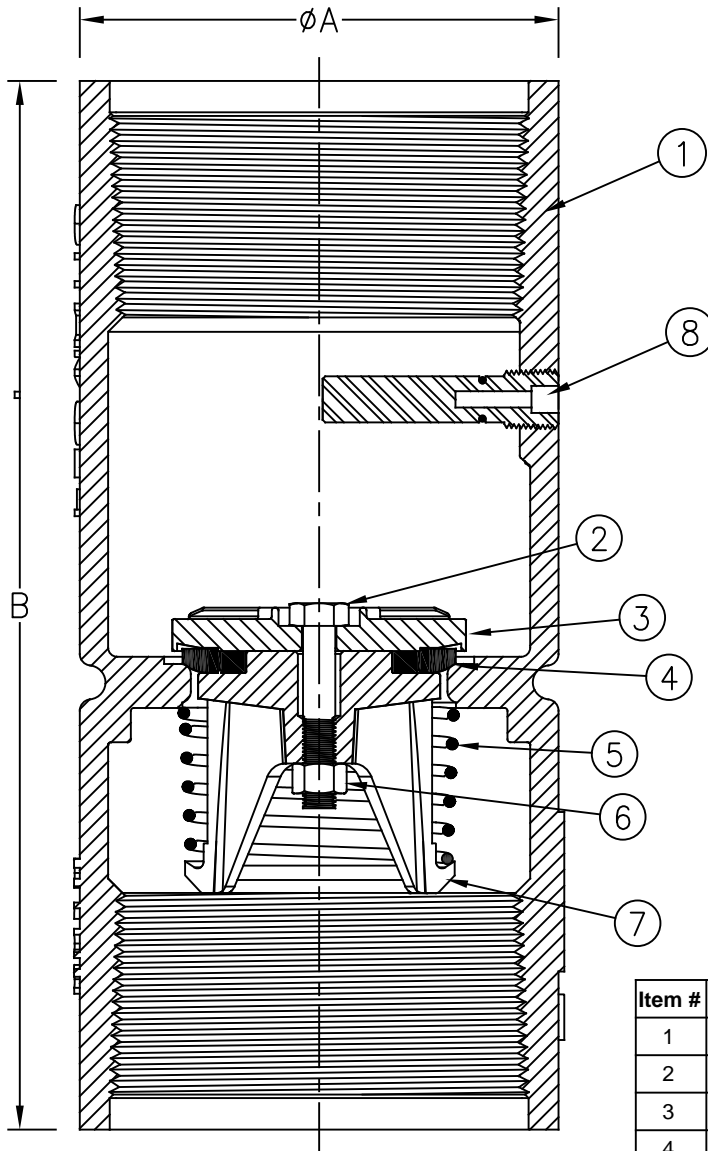
Ductile Iron Check Valve

Model 80XLDI **FLOMATIC**[®]

Sizes 4" / 100mm
with Optional Break-Off Plug

Flomatic Corporation

Materials



Max Temp 180°F (82°C)
Max Pressure 600psi (42bar)

Item #	Qty	Description	Material	ASTM
1	1	Body (Epoxy Coated)	Ductile Iron	65-45-12
2	1	Bolt	Stainless Steel	304
3	1	Dome (Epoxy Coated)	Ductile Iron	65-45-12
4	1	Rubber Disc	Buna-n	N-5007
5	1	Spring	Stainless Steel	302
6	1	Nut	Stainless Steel	304
7	1	Guide (Epoxy Coated)	Ductile Iron	65-45-12
8*	1	Optional 3/8" Break-Off Plug	Stainless Steel	304

Dimensions (FNPT x FNPT) ANSI B1.20.1

*Optional 1/2" NPT Break-Off Plug Available

Optional Female 8 Round Threads
API Specification 5B Table 3
Line Pipe Threads they are not API certified

Size		Part #	A		B		Weight	
inch	mm		inch	mm	inch	mm	lbs	kg
4	100	7939XL	5-1/2	140	11-1/2	292	20	9.1
4	100	7939XLPLG	5-1/2	140	11-1/2	292	20	9.1

Flomatic Corporation can accept no responsibility for possible errors in catalogues, brochures and other printed material. Flomatic Corporation reserves the right to alter its products without notices. This also applies to product already agreed. All trademarks in this material are property of the respective companies. All right reserved. ©2019 Flomatic Corporation. The drawings & information on this drawing sheet are the sole & exclusive property of Flomatic Corporation. Any reproduction, distribution, display or use of these drawings or information in whole or in part without written authorization of Flomatic Corporation is strictly prohibited. www.flomatic.com



January 18, 2019
Dwg No: S7939R Rev: 0

FLOMATIC CORPORATION
GLENS FALLS, N.Y. 12801
PHONE (518) 761-9797
FAX (518) 761-9798