

Ductile Iron Check Valve

Model 80DI-VFD



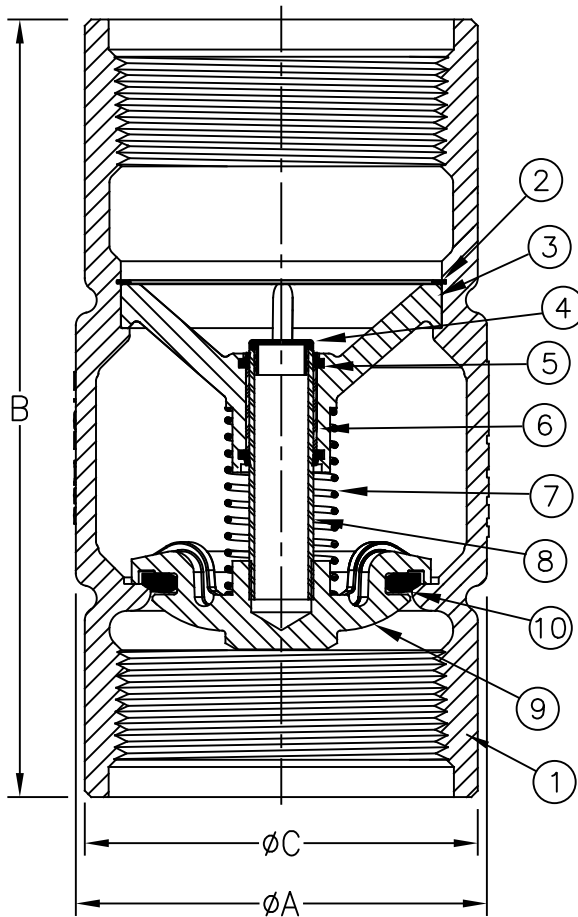
Fromatic Corporation

Sizes 3" thru 5" / 75 mm thru 125 mm

LEAD FREE
NSF/ANSI 61



Materials



Max Temp 180°F (82°C)
Max Pressure 600psi (42bar)

Item #	Qty	Description	Material	ASTM
1	1	Body (Epoxy Coated)	Ductile Iron	65-45-12
2	1	Retaining Ring	Stainless Steel	302
3	1	Stem Guide (Epoxy Coated)	Ductile Iron	65-45-12
4	1	Stem Cap	Engineered Composite	Polyethelyne
5	2	Wiper	Engineered Composite	Molythane
6	1	Bushing	Engineered Composite	-----
7	1	Spring	Stainless Steel	302
8	1	Stem	Stainless Steel	316
9	1	Disc	Buna-N	N-5007*
10	1	Poppet (Epoxy Coated)	Ductile Iron	65-45-12

Dimensions (FNPT x FNPT)

Patent # 9,032,992

ANSI B1.20.1

Optional Female 8 Round Threads
API Specification 5B
Line Pipe Threads are not API certified

Size		Part #	ØA		B		ØC		Weight	
inch	mm		inch	mm	inch	mm	inch	mm	lbs	kg
3	75	7938VFD	4-3/8	111	8-37/64	218	4-13/64	107	12	5.5
4	100	7939VFD	5-3/4	146	11-1/4	286	5-1/2	140	27	12
5	125	4088VFD	6-29/32	175	13-5/8	346	6-19/32	167	40	18

Fromatic Corporation can accept no responsibility for possible errors in catalogues, brochures and other printed material. Fromatic Corporation reserves the right to alter its products without notices. This also applies to product already agreed. All trademarks in this material are property of the respective companies. All rights reserved. ©2021 Fromatic Corporation. The drawings & information on this drawing sheet are the sole & exclusive property of Fromatic Corporation. Any reproduction, distribution, display or use of these drawings or information in whole or in part without written authorization of Fromatic Corporation is strictly prohibited. www.fromatic.com



November 21, 2011
Dwg No: S7939DI-VFD Rev: H (2/21)

FLOMATIC CORPORATION
GLENS FALLS, N.Y. 12801
PHONE (518) 761-9797
FAX (518) 761-9798