

Ductile Iron Check Valve

Model 80DI-VFD

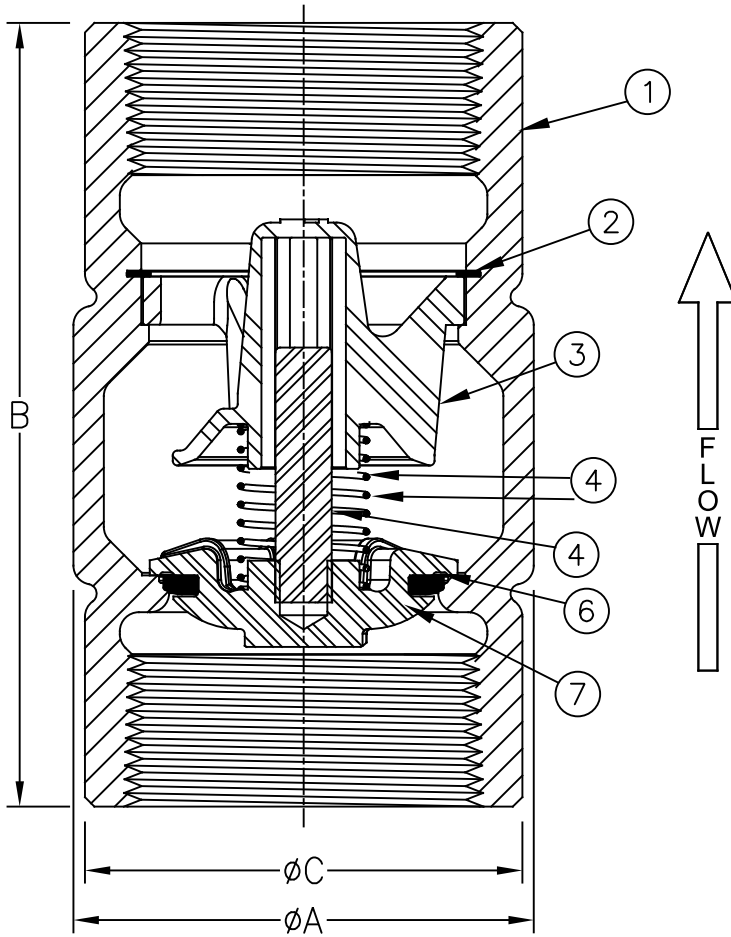


Flomatic Corporation

Sizes 2" & 2-1/2" / 50 mm & 65 mm
FOR VERTICAL INSTALLATION ONLY
 (for horizontal installation see 7937SVFD & 7936SVFD)



Materials



Max Temp 180°F (82°C)
 Max Pressure 600psi (42bar)

Item #	Qty	Description	Material	ASTM
1	1	Body	Ductile Iron	65-45-12
2	1	Retaining Ring	Stainless Steel	302
3	1	Stem Guide	Noryl®	GFN2-780S
4	1	Spring	Stainless Steel	316
5	1	Stem	Stainless Steel	316
6	1	Disc	Buna-N	N-5007
7	1	Poppet	Stainless Steel	316

Patent # 9,032,992

Dimensions (FNPT x FNPT)

ANSI B1.20.1

Size		Part #	ØA		B		C		Weight	
inch	mm		inch	mm	inch	mm	inch	mm	lbs	kg
2	50	7937VFD	3	76	5-5/32	131	2-7/8	73	3.5	1.6
2-1/2	65	7936VFD	3-23/32	94	7-1/2	191	3-3/8	86	6.4	2.9

*Break-Off Plug is not available with composite stem guide ref spec sheet 7937SVFD

Flomatic Corporation can accept no responsibility for possible errors in catalogues, brochures and other printed material. Flomatic Corporation reserves the right to alter its products without notices. This also applies to product already agreed. All trademarks in this material are property of the respective companies. All rights reserved. ©2023 Flomatic Corporation. The drawings & information on this drawing sheet are the sole & exclusive property of Flomatic Corporation. Any reproduction, distribution, display or use of these drawings or information in whole or in part without written authorization of Flomatic Corporation is strictly prohibited. www.flomatic.com



May 4, 2016
 Dwg No: S7937VFD Rev: E (8/23)

FLOMATIC CORPORATION
 GLENS FALLS, N.Y. 12801
 PHONE (518) 761-9797
 FAX (518) 761-9798