

Ductile Iron Check Valve

Model 80DIS-VFD



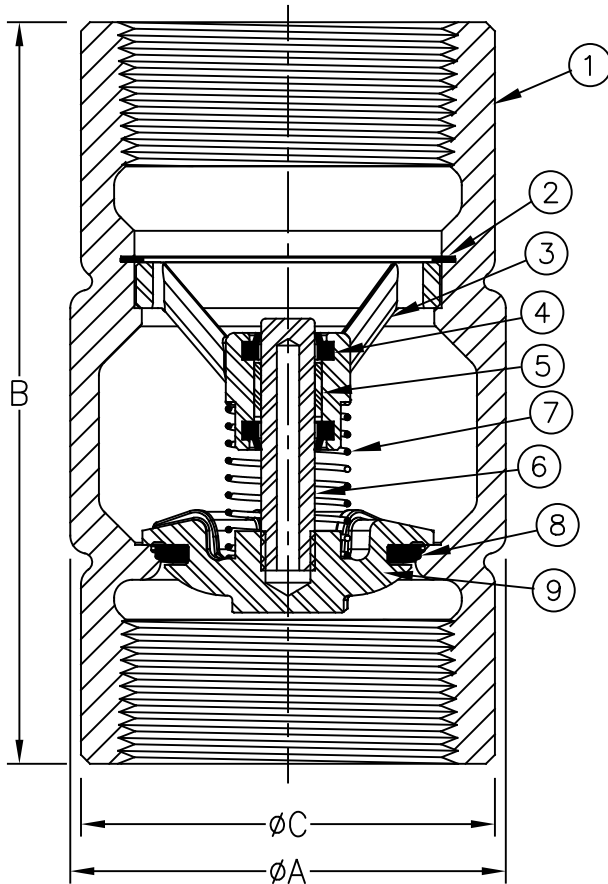
Flomatic Corporation

Sizes 2" & 2-1/2" / 50mm & 65mm

LEAD FREE
NSF/ANSI 61



Materials



Max Temp 180°F (82°C)
Max Pressure 600psi (42bar)

Item #	Qty	Description	Material	ASTM
1	1	Body (Epoxy Coated)	Ductile Iron	65-45-12
2	1	Retaining Ring	Stainless Steel	302
3	1	Stem Guide	Stainless Steel	316
4	2	Wiper	Engineered Composite	Molythane
5	1	Bushing	SS / Composite	-----
6	1	Stem	Stainless Steel	316
7	1	Spring	Stainless Steel	302
8	1	Disc	Buna-N	N-5007
9	1	Poppet	Stainless Steel	316

Dimensions (FNPT x FNPT)

ANSI B1.20.1

Size		Part #	A		B		C		Weight	
inch	mm		inch	mm	inch	mm	inch	mm	lbs	kg
2	50	7937SVFD	3	76	5-5/32	131	2-7/8	73	4	1.8
2-1/2	65	7936SVFD	3-5/8	92	6-31/32	177	3-3/8	86	10	4.5

Flomatic Corporation can accept no responsibility for possible errors in catalogues, brochures and other printed material. Flomatic Corporation reserves the right to alter its products without notices. This also applies to product already agreed. All trademarks in this material are property of the respective companies. All rights reserved. ©2022 Flomatic Corporation. The drawings & information on this drawing sheet are the sole & exclusive property of Flomatic Corporation. Any reproduction, distribution, display or use of these drawings or information in whole or in part without written authorization of Flomatic Corporation is strictly prohibited. www.flomatic.com



May 3, 2016
Dwg No: S7937SVFD Rev: B (1/22)

FLOMATIC CORPORATION
GLENS FALLS, N.Y. 12801
PHONE (518) 761-9797
FAX (518) 761-9798