

# Ductile Iron Check Valve

# Model 80DICLVFD



Flomatic Corporation

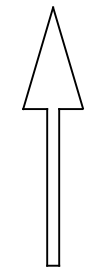
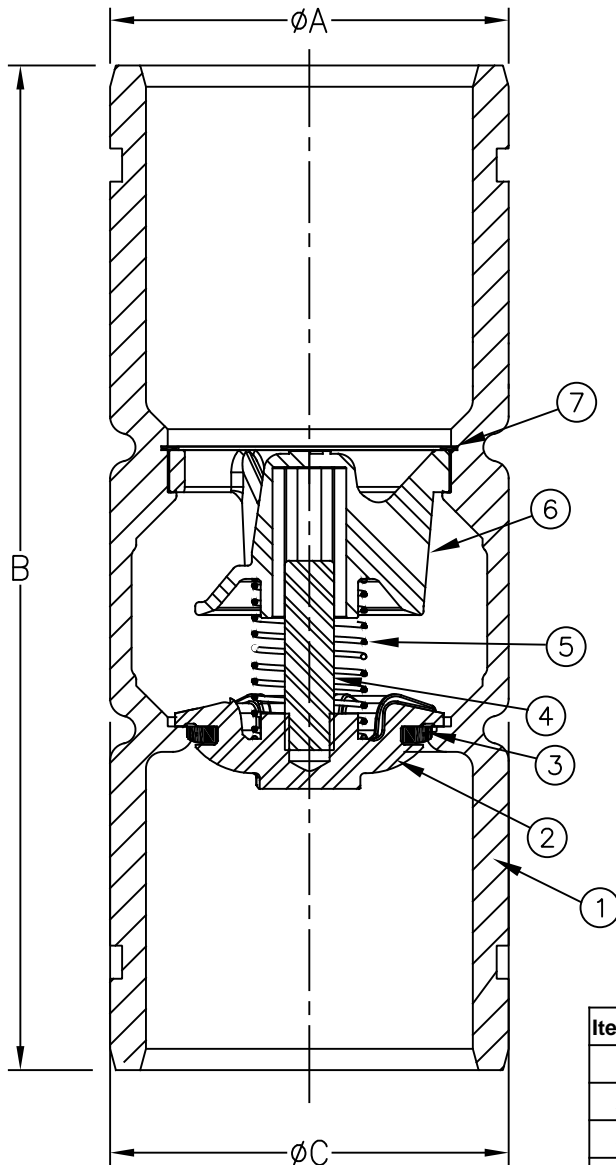
Sizes 3" / 75mm

FOR VERTICAL INSTALLATION ONLY

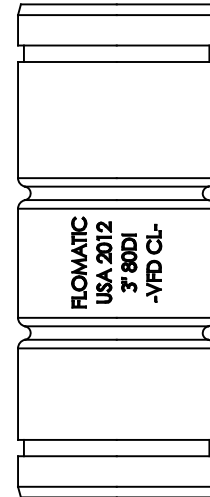
LEAD FREE  
NSF/ANSI 61



## Materials



FLOW



Item #	Qty	Description	Material	ASTM
1	1	Body	Unleaded Bronze	C89833
2	1	Poppet	Stainless Steel	316
3	1	Seat Disc	Buna-N	-----
4	1	Stem	Stainless Steel	316
5	1	Spring	Stainless Steel	304
6	1	Stem Guide	Noryl	GFN2-780S
7	1	Retaining Ring	Stainless Steel	302

Max Temp 180°F (82°C)  
Max Pressure 600psi (42bar)

## Dimensions (Certa-Lok®)

Patent # 9,032,992

Size		Part #	A		B		C		Weight	
inch	mm		inch	mm	inch	mm	inch	mm	lbs	kg
3	75	7938CLVFD	3-1/2	89	9-37/64	243	4-1/8	105	10	5

Flomatic Corporation can accept no responsibility for possible errors in catalogues, brochures and other printed material. Flomatic Corporation reserves the right to alter its products without notices. This also applies to product already agreed. All trademarks in this material are property of the respective companies. All right reserved. ©2018 Flomatic Corporation. The drawings & information on this drawing sheet are the sole & exclusive property of Flomatic Corporation. Any reproduction, distribution, display or use of these drawings or information in whole or in part without written authorization of Flomatic Corporation is strictly prohibited. www.flomatic.com



December 16, 2016  
Dwg No: S7938DI-VFDCL Rev: A (9/18)

FLOMATIC CORPORATION  
GLENS FALLS, N.Y. 12801  
PHONE (518) 761-9797  
FAX (518) 761-9798