

# Stainless Steel Check Valve

# Model 812J

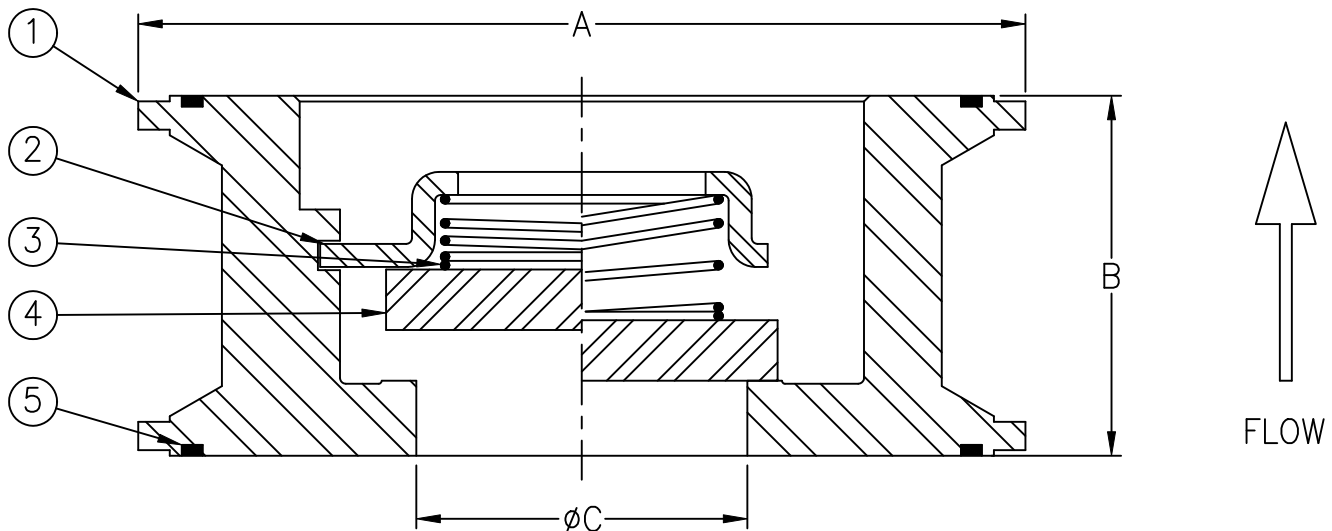


Sizes 1/2" thru 2-1/2" / 15mm thru 65mm



## Materials

**USED ONLY FOR 812XT, XTF & XFF  
THIS SPEC SHEET IS FOR REF ONLY**



Max Temp 450°F (232°C)  
Max Pressure 300psi (21bar)

Item #	Qty	Description	Material	ASTM
1	1	Body	Stainless Steel	316
2	1	Holder	Stainless Steel	316
3	1	Spring	Stainless Steel	316
4	1	Disc*	Stainless Steel	316
5	2	Seal	PTFE	-----

\*Viton or Buna seating available consult factory for part number.

## Dimensions

Size		Part #	A		B		C		Weight	
inch	mm		inch	mm	inch	mm	inch	mm	lbs	kg
1/2	15	2420J	1.46	37	.75	19	.55	14	.20	.09
3/4	20	2421J	1.82	46	.95	24	.70	18	.40	.18
1	25	2422J	2.18	55	1.15	29	.92	23	.60	.27
1-1/4	32	2423J	2.53	64	1.35	34	1.15	29	.70	.32
1-1/2	40	2424J	2.94	75	1.46	37	1.41	36	1.15	.52
2	50	2425J	3.67	93	1.84	47	1.86	47	1.93	.88
2-1/2	65	2426J	4.67	119	1.96	50	2.44	62	3.1	1.41

Flomatic Corporation can accept no responsibility for possible errors in catalogues, brochures and other printed material. Flomatic Corporation reserves the right to alter its products without notices. This also applies to product already agreed. All trademarks in this material are property of the respective companies. All right reserved. ©2011 Flomatic Corporation. The drawings & information on this drawing sheet are the sole & exclusive property of Flomatic Corporation. Any reproduction, distribution, display or use of these drawings or information in whole or in part without written authorization of Flomatic Corporation is strictly prohibited.



January 25, 2005  
Dwg No: S812J-1 Rev: C (10/13)

FLOMATIC CORPORATION  
GLENS FALLS, N.Y. 12801  
PHONE (518) 761-9797  
FAX (518) 761-9798