

# Stainless Steel Check Valve

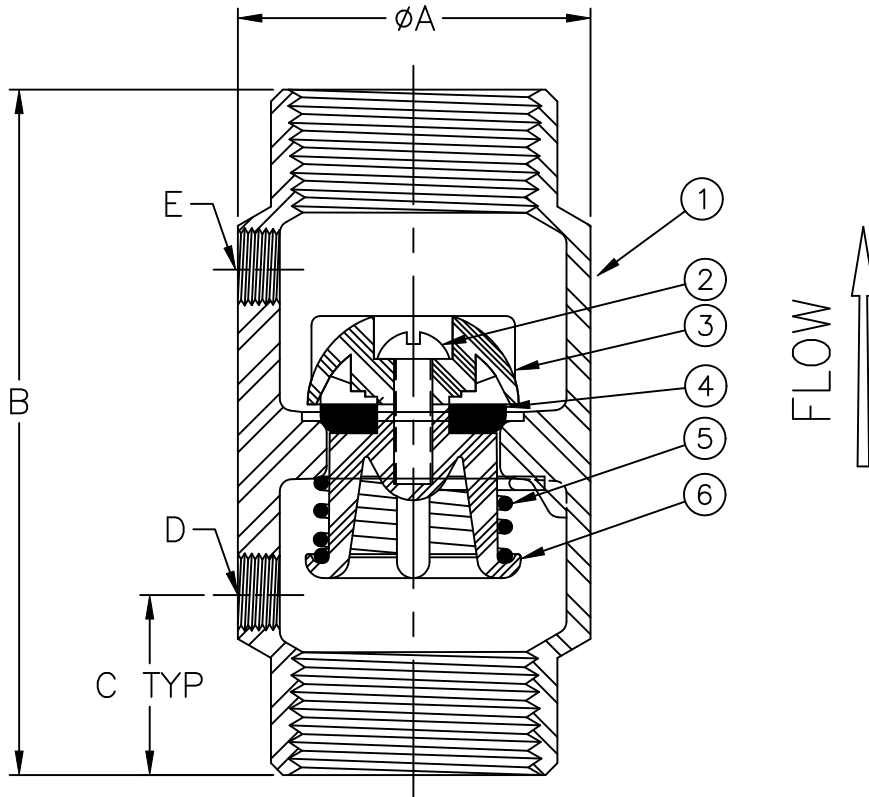
# Model 80SSA



Fromatic Corporation

Sizes 1" / 25 mm  
Single Tap

## Materials



Max Temp 180°F (82°C)  
Max Pressure 400psi (28bar)

Item #	Qty	Description	Material	ASTM	Item #	Qty	Description	Material	ASTM
1	1	Body	Stainless Steel	303	4	1	Disc	Buna-n	-----
2	1	Screw	Stainless Steel	18-8	5	1	Spring	Stainless Steel	18-8
3	1	Dome	Delrin	-----	6	1	Guide	Delrin	-----

## Dimensions

Patent # 4,971,09 & 6,581,633

Size		Part #	A		B		C		D (Inlet NPT)		E (Outlet NPT)		Weight	
inch	mm		inch	mm	inch	mm	inch	mm	inch	inch	lbs	kg		
1	25	4041SS2	1-27/32	47	3-9/16	90	15/16	24	1/8	N/A	1-3/16	.54		
1	25	7981SS2	1-29/32	49	3-3/4	95	15/16	24	1/4	N/A	1-3/16	.54		
1	25	8981SS2	1-27/32	47	3-9/16	90	15/16	24	N/A	1/8	1-3/16	.54		
1	25	7982SS2	1-29/32	49	3-3/4	95	15/16	24	N/A	1/4	1-3/16	.54		

Fromatic Corporation can accept no responsibility for possible errors in catalogues, brochures and other printed material. Fromatic Corporation reserves the right to alter its products without notices. This also applies to product already agreed. All trademarks in this material are property of the respective companies. All right reserved. ©2011 Fromatic Corporation. The drawings & information on this drawing sheet are the sole & exclusive property of Fromatic Corporation. Any reproduction, distribution, display or use of these drawings or information in whole or in part without written authorization of Fromatic Corporation is strictly prohibited.



August 8, 2001  
Dwg No: S4041SS2 Rev: B (4/13)

FLOMATIC CORPORATION  
GLENS FALLS, N.Y. 12801  
PHONE (518) 761-9797  
FAX (518) 761-9798