

Stainless Steel Check Valve

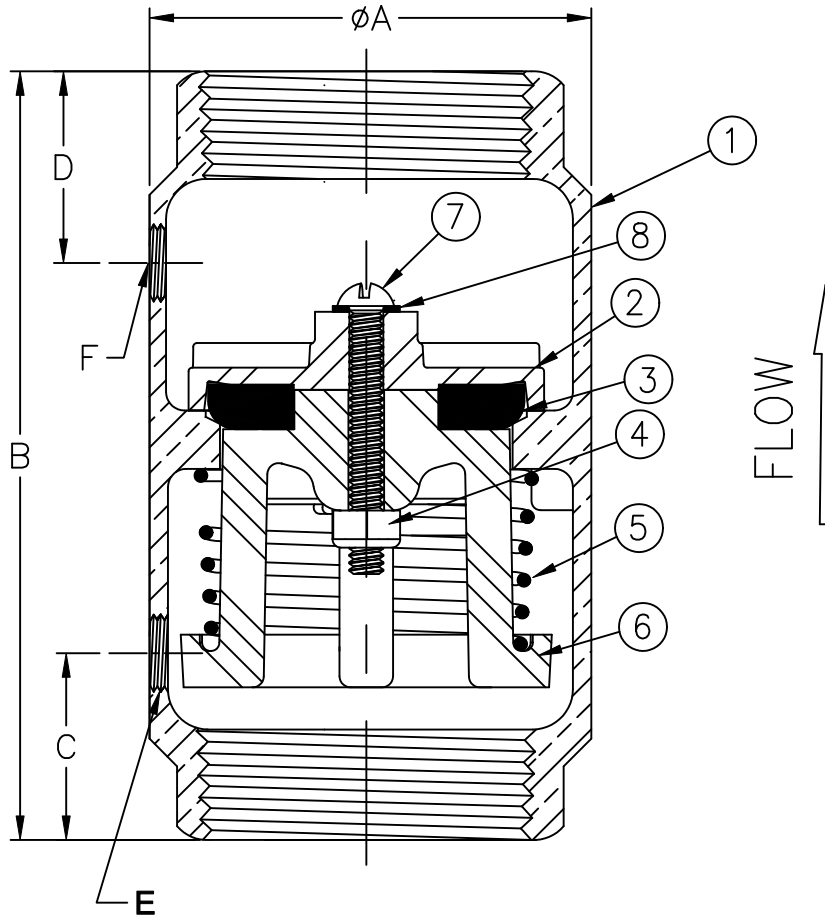
Model 80SSA



Flomatic Corporation

Sizes 2" / 50 mm
Single Tap

Materials



Max Temp 180°F (82°C)
Max Pressure 400psi (28bar)

| Item # | Qty | Description | Material | ASTM | Item # | Qty | Description | Material | ASTM |
|--------|-----|-------------|-----------------|-------|--------|-----|-------------|-----------------|-------|
| 1 | 1 | Body | Stainless Steel | 303 | 5 | 1 | Spring | Stainless Steel | 303 |
| 2 | 1 | Dome | Stainless Steel | 304 | 6 | 1 | Guide | Delrin | ----- |
| 3 | 1 | Disc | Buna-n | ----- | 7 | 1 | Screw | Stainless Steel | 18-8 |
| 4 | 1 | Nut | Stainless Steel | 304 | 8 | 1 | Washer | Nylon | ----- |

Dimensions

| Size | | Part # | A | | B | | C | | D | | E (Inlet NPT) | F (Outlet NPT) | Weight | |
|------|----|---------|------|----|-------|-----|-------|----|-------|----|---------------|----------------|--------|-----|
| inch | mm | | inch | mm | inch | mm | inch | mm | inch | mm | inch | inch | lbs | kg |
| 2 | 50 | 4044SS2 | 3 | 76 | 5-1/4 | 133 | 1-1/4 | 32 | 1-1/4 | 32 | 1/8 | N/A | 3-7/64 | 1.4 |
| 2 | 50 | 7987SS2 | 3 | 76 | 5-1/4 | 133 | 1-1/4 | 32 | 1-1/4 | 32 | 1/4 | N/A | 3-7/64 | 1.4 |
| 2 | 50 | 8984SS2 | 3 | 76 | 5-1/4 | 133 | 1-1/4 | 32 | 1-1/4 | 32 | N/A | 1/8 | 3-7/64 | 1.4 |
| 2 | 50 | 7988SS2 | 3 | 76 | 5-1/4 | 133 | 1-1/4 | 32 | 1-1/4 | 32 | N/A | 1/4 | 3-7/64 | 1.4 |

Flomatic Corporation can accept no responsibility for possible errors in catalogues, brochures and other printed material. Flomatic Corporation reserves the right to alter its products without notices. This also applies to product already agreed. All trademarks in this material are property of the respective companies. All right reserved. ©2011 Flomatic Corporation. The drawings & information on this drawing sheet are the sole & exclusive property of Flomatic Corporation. Any reproduction, distribution, display or use of these drawings or information in whole or in part without written authorization of Flomatic Corporation is strictly prohibited.



August 8, 2001
Dwg No: S4044SS2 Rev: E (6/15)

FLOMATIC CORPORATION
GLENS FALLS, N.Y. 12801
PHONE (518) 761-9797
FAX (518) 761-9798