

Stainless Steel Check Valve

Model 82S6-VFD



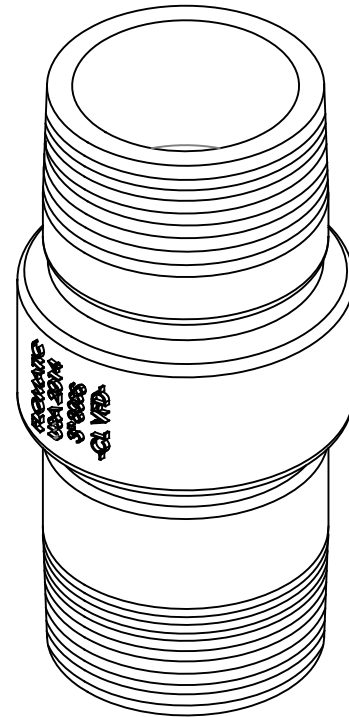
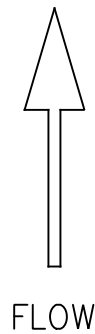
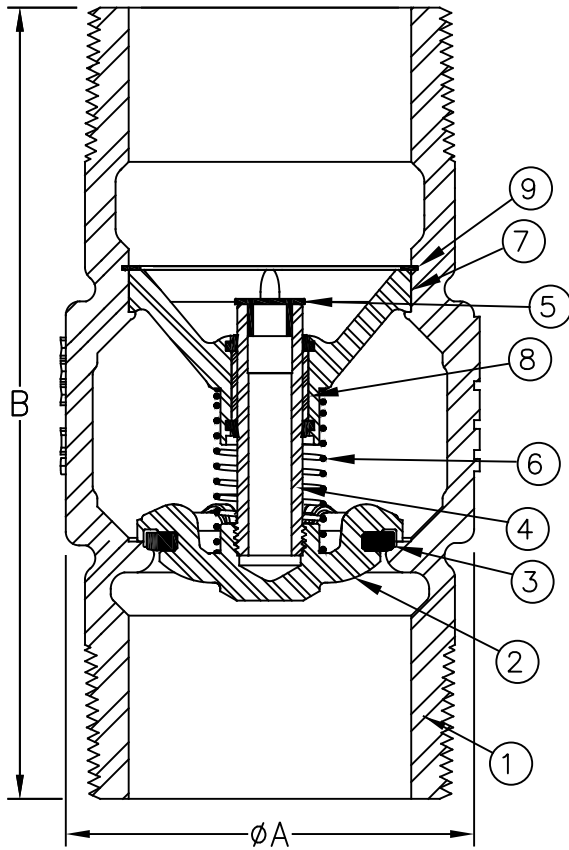
Flomatic Corporation

Sizes 3" thru 8" / 80mm thru 200mm

LEAD FREE
NSF/ANSI 61



Materials



Item #	Qty	Description	Material	ASTM
1	1	Body	Stainless Steel	316
2	1	Poppet	Stainless Steel	316
3	1	Seat Disc	Buna-N	-----
4	1	Stem	Stainless Steel	316
5	1	Stem Cap	Engineered Composite	-----
6	1	Spring	Stainless Steel	304
7	1	Stem Guide	Stainless Steel	316
8	1	Bushing	Engineered Composite	-----
9	1	Retaining Ring	Stainless Steel	302

Dimensions (MNPT)

Max Temp 400°F (200°C)
Max Pressure 400psi (28bar)

Size		Part #	A		B		Weight	
inch	mm		inch	mm	inch	mm	lbs	kg
3	80	4094S6VFD	4-5/8	117	8-1/4	210	6	3
4	100	4095S6VFD	4-1/2	114	9-7/8	251	12	5.5
5	125	4096S6VFD	5-3/4	146	11-1/4	286	27	12
6	150	4097S6VFD	6-29/32	175	12-7/8	327	40	18
8	200	4098S6VFD	8	203	16-1/4	413	63	29

Flomatic Corporation can accept no responsibility for possible errors in catalogues, brochures and other printed material. Flomatic Corporation reserves the right to alter its products without notices. This also applies to product already agreed. All trademarks in this material are property of the respective companies. All right reserved. ©2018 Flomatic Corporation. The drawings & information on this drawing sheet are the sole & exclusive property of Flomatic Corporation. Any reproduction, distribution, display or use of these drawings or information in whole or in part without written authorization of Flomatic Corporation is strictly prohibited. www.flomatic.com



October 16, 2014
Dwg No: S4096S6VFD Rev: C (9/18)

FLOMATIC CORPORATION
GLENS FALLS, N.Y. 12801
PHONE (518) 761-9797
FAX (518) 761-9798