

Check Valve

Model 80SL

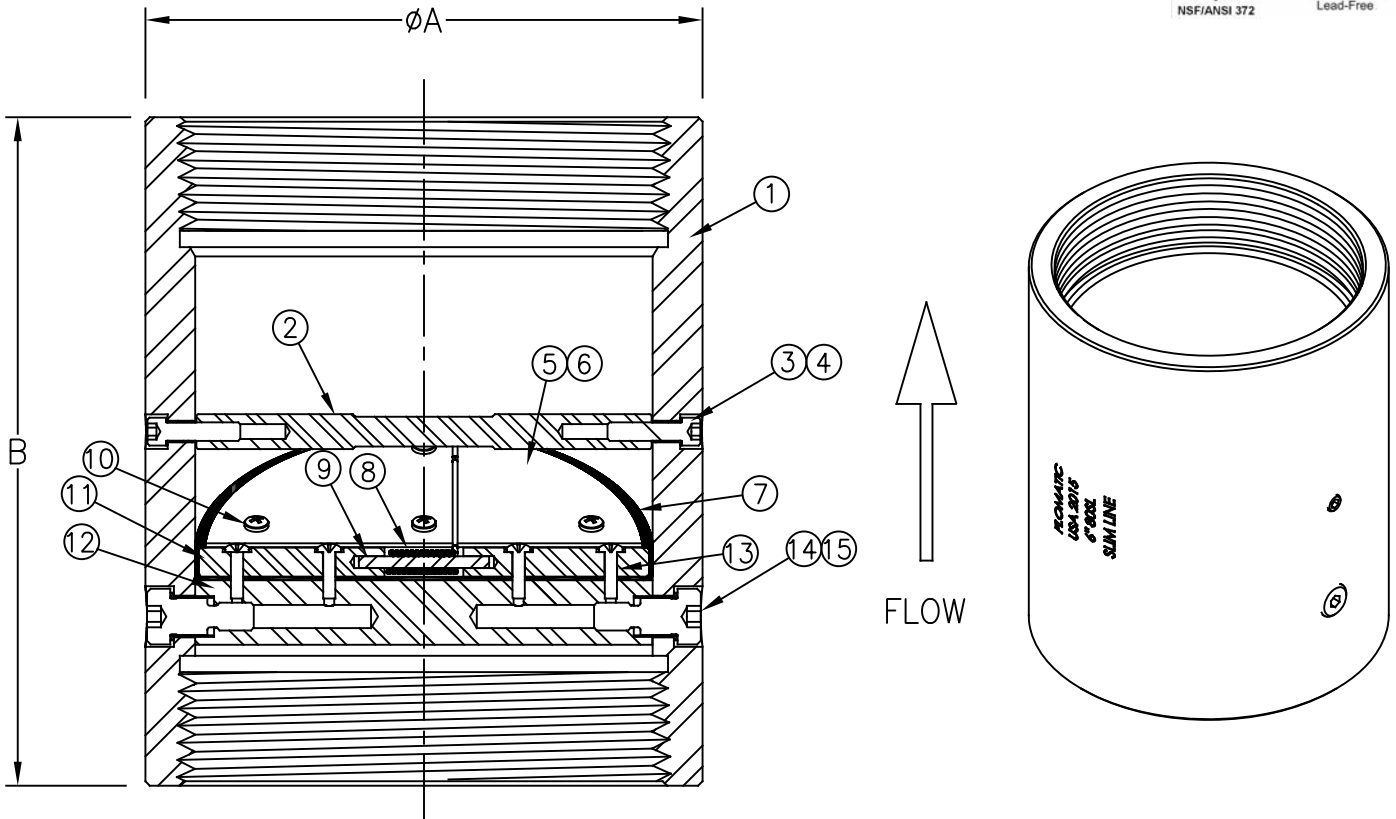


Flomatic Corporation

Sizes 5" thru 8" / 125mm thru 200mm



Materials



Max Temp 200°F (93°C)
Max Pressure 450psi (31bar)

Item #	Qty	Description	Material	ASTM	Item #	Qty	Description	Material	ASTM
1	1	Body (Epoxy Coated)	Carbon Steel	A106 Grade B	9	1	Spring Pin	Stainless Steel	316
2	1	Travel Stop	Stainless Steel	316	10	8	PHMS	Stainless Steel	316
3	2	SHCS	Stainless Steel	316	11	2	Pin	Stainless Steel	316
4	2	Bolt Seal	Stainless Steel	316	12	1	Support	Stainless Steel	316
5	1	Top Plate	Stainless Steel	316	13	4	PHMS	Stainless Steel	316
6	1	Bottom Plate	Stainless Steel	316	14	2	Shoulder Bolt	Stainless Steel	316
7	1	Diaphragm	Nitrile/Nylon	-----	15	2	Bolt Seal	Nylon	-----
8	1	Spring	Stainless Steel	316					

Dimensions (FNPT Inlet X FNPT Outlet)

Size		Part #	A		B		Weight	
inch	mm		inch	mm	inch	mm	lbs	kg
5	125	4088SL	6-1/4	159	8	203	21	9.5
6	150	4089SL	7-1/2	191	9	229	36	16
8	200	4090SL	9-5/8	244	11	279	64	29

Flomatic Corporation can accept no responsibility for possible errors in catalogues, brochures and other printed material. Flomatic Corporation reserves the right to alter its products without notices. This also applies to product already agreed. All trademarks in this material are property of the respective companies. All right reserved. ©2017 Flomatic Corporation. The drawings & information on this drawing sheet are the sole & exclusive property of Flomatic Corporation. Any reproduction, distribution, display or use of these drawings or information in whole or in part without written authorization of Flomatic Corporation is strictly prohibited.



December 10, 2015
Dwg No: S4089SL Rev: A (12/17)

FLOMATIC CORPORATION
GLENS FALLS, N.Y. 12801
PHONE (518) 761-9797
FAX (518) 761-9798