

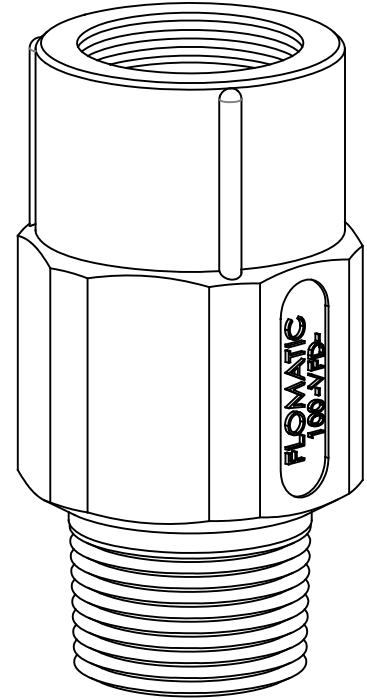
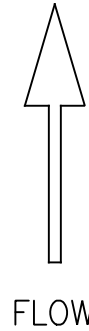
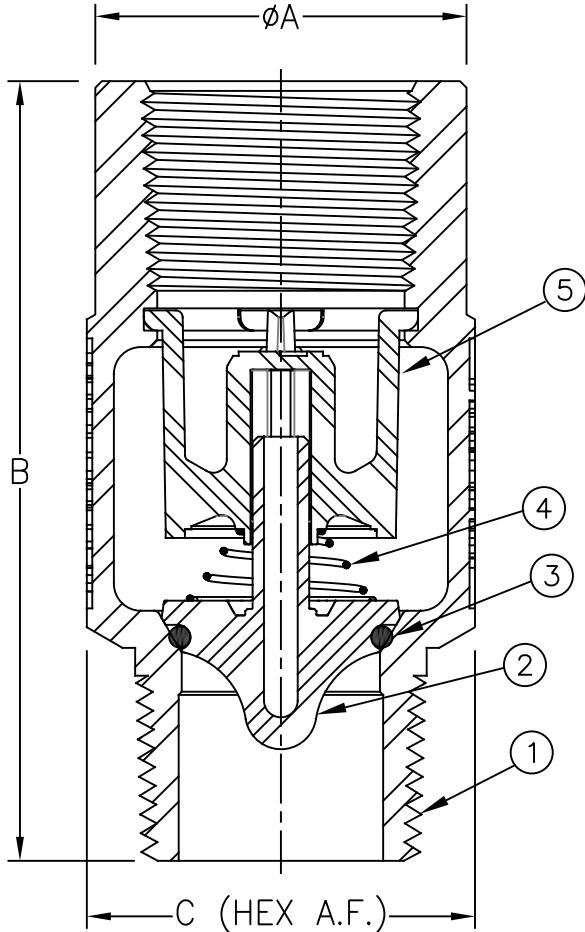
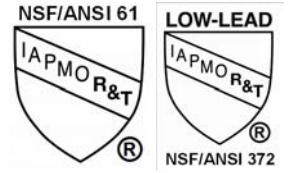
Stainless Steel Check Valve Model 100MSS-VFD



Flomatic Corporation

Sizes 1"M & 1"F/ 25mm x 25mm
1-1/4"M & 1-1/4"F/ 32mm x 32mm

Materials



Max Temp 180°F (82°C)
Max Pressure 400psi (28bar)

Item #	Qty	Description	Material	ASTM
1	1	Body	Stainless Steel	304
2	1	Poppet*	Delrin	100 Black
3	1	O'Ring	Buna-N	-----
4	1	Spring	Stainless Steel	302
5	1	Guide	Delrin	100 Black

*Optional 304SS poppet available

Dimensions (MNPT inlet X FNPT outlet)

Size		Part #	A		B		C		Weight	
inch	mm		inch	mm	inch	mm	inch	mm	lbs	kg
1"M X 1"F	25mm x 25mm	4220SS2VFD	1-22/32	43	3-39/64	92	1-29/32	48	.93	.42
1"M X 1"F	25mm x 25mm	4220SS2SVFD*	1-22/32	43	3-39/64	92	1-29/32	48	1.0	.45
1-1/4"M X 1-1/4"F	32mm x 32mm	4242SS2VFD	2	51	4-19/64	109	2-1/4	57	1.6	.70
1-1/4"M X 1-1/4"F	32mm x 32mm	4242SS2SVFD*	2	51	4-19/64	109	2-1/4	57	1.7	.76

Flomatic Corporation can accept no responsibility for possible errors in catalogues, brochures and other printed material. Flomatic Corporation reserves the right to alter its products without notices. This also applies to product already agreed. All trademarks in this material are property of the respective companies. All right reserved. ©2018 Flomatic Corporation. The drawings & information on this drawing sheet are the sole & exclusive property of Flomatic Corporation. Any reproduction, distribution, display or use of these drawings or information in whole or in part without written authorization of Flomatic Corporation is strictly prohibited.



April 26, 2017
Dwg No: S4220MSSVFD Rev: B (1/18)

FLOMATIC CORPORATION
GLENS FALLS, N.Y. 12801
PHONE (518) 761-9797
FAX (518) 761-9798