

Globe Style

Silent Check

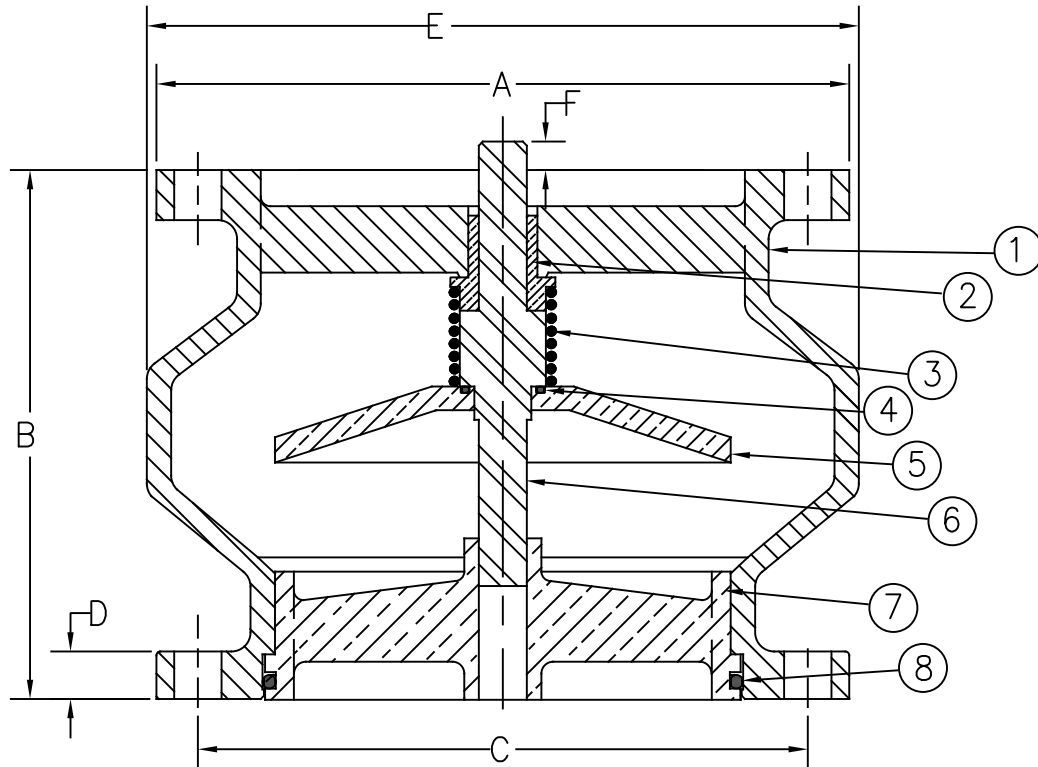
Model 402BT



Sizes 12" / 300 mm
150# Flange

Flomatic Corporation

Materials



Item #	Qty	Description	Material	ASTM
1	1	Body (Epoxy Coated)	Ductile Iron	65-45-12
2	1	Bushing	Bronze	C95400
3	1	Spring	Stainless Steel	304
4	1	O'Ring	EPDM	5778-70
5	1	Poppet	Silicone Brass	C87800
6	1	Stem	Stainless Steel	316
7	1	*Seat Ring	Bronze	C89833
8	1	O'Ring	EPDM	5778-70

*OPTIONAL RESILIENT SEAT AVAILABLE, ADD "R" TO THE PART NUMBER

Max Temp 180°F (82°C)
Max Inlet Pressure 200psi (14bar)
Patent # 6,024,121

Dimensions

Size		Part #	ØA		B		ØC		D		ØE		F		Weight		Bolt Size	# of Bolts
inch	mm		inch	mm	inch	mm	inch	mm	inch	mm	inch	mm	inch	mm	lbs	kg		
12	300	2248BT	19	483	14-1/2	368	17	432	1-1/4	32	19-1/2	495	13/16	21	306	139	7/8	12

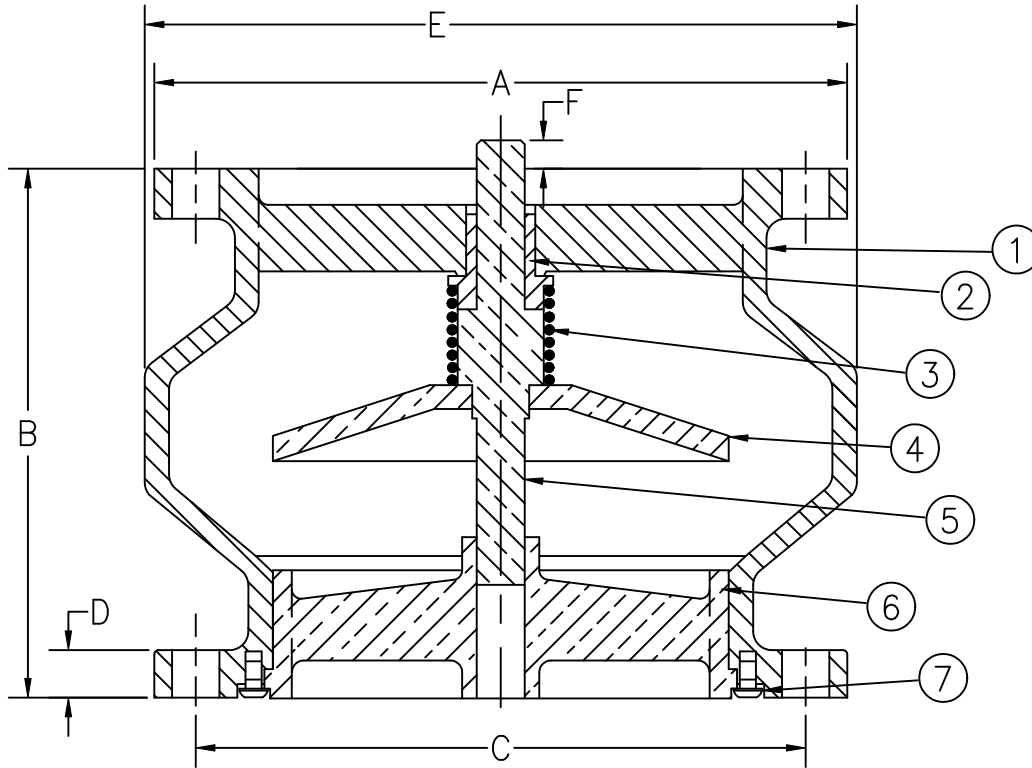
Flomatic Corporation can accept no responsibility for possible errors in catalogues, brochures and other printed material. Flomatic Corporation reserves the right to alter its products without notices. This also applies to product already agreed. All trademarks in this material are property of the respective companies. All right reserved. ©2019 Flomatic Corporation. The drawings & information on this drawing sheet are the sole & exclusive property of Flomatic Corporation. Any reproduction, distribution, display or use of these drawings or information in whole or in part without written authorization of Flomatic Corporation is strictly prohibited. www.flomatic.com



April 4, 1995
Dwg No: S402BT-3 Rev: M (2/19)

FLOMATIC CORPORATION
GLENS FALLS, N.Y. 12801
PHONE (518) 761-9797
FAX (518) 761-9798

Materials



Item #	Qty	Description	Material	ASTM
1	1	Body (Epoxy Coated)	Cast Iron	A48 Class 35
2	1	Bushing	Bronze	B584
3	1	Spring	Stainless Steel	304
4	1	Poppet	Bronze	B584
5	1	Stem	Bronze	B584
6	1	*Seat Ring	Bronze	B584
7	3	Button Head Socket Screw	Stainless Steel	304

*OPTIONAL RESILIENT SEAT AVAILABLE, ADD "R" TO THE PART NUMBER
Max Temp 180°F (82°C)
Max Inlet Pressure 200psi (14bar)

Dimensions

Size		Part #	ØA		B		ØC		D		ØE		F		Weight		Bolt Size	# of Bolts
Inch	mm		Inch	mm	Inch	mm	Inch	mm	Inch	mm	Inch	mm	Inch	mm	lbs	kg		
14	350	2249BT	21	533	15-3/4	400	18-3/4	476	1-3/8	35	22	559	1-7/16	37	380	172	1	12
16	400	2250BT	23-1/2	597	17-5/8	448	21-1/4	540	1-7/16	37	25	635	2-1/4	57	500	227	1	16
18	450	2251BT	25	635	18-3/4	476	22-3/4	578	1-9/16	40	28	711	2-1/4	57	724	328	1-1/8	16
20	500	2252BT	27-1/2	699	20-5/8	524	25	635	1-11/16	43	31	787	2-15/16	75	890	404	1-1/8	20
24	600	2254BT	32	813	24	610	29-1/2	749	1-7/8	48	37	940	3-5/8	92	1220	553	1-1/4	20

Flomatic Corporation can accept no responsibility for possible errors in catalogues, brochures and other printed material. Flomatic Corporation reserves the right to alter its products without notices. This also applies to product already agreed. All trademarks in this material are property of the respective companies. All right reserved. ©2011 Flomatic Corporation. The drawings & information on this drawing sheet are the sole & exclusive property of Flomatic Corporation. Any reproduction, distribution, display or use of these drawings or information in whole or in part without written authorization of Flomatic Corporation is strictly prohibited.