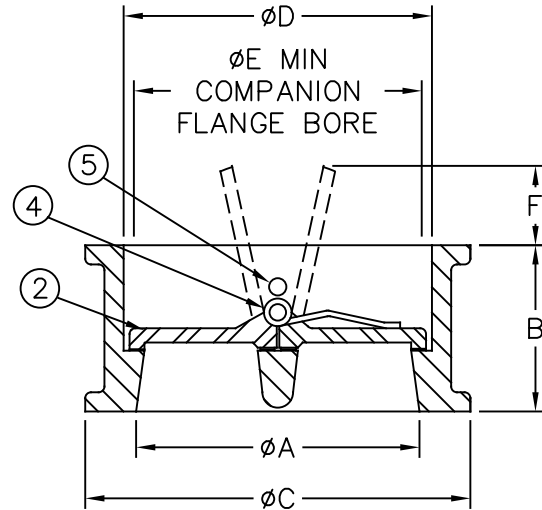
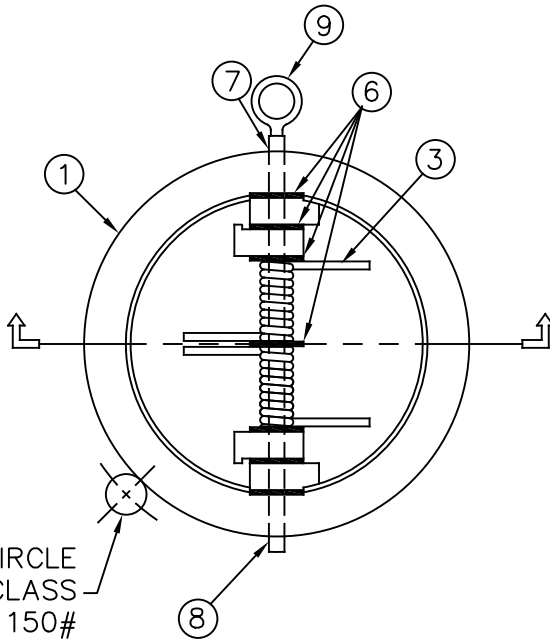


Materials



Max Temp 180°F (82°C)  
Max Inlet Pressure 200psi (14bar)

Item #	Qty	Description	Material	ASTM
1	1	Body (Epoxy Coated) / Seal Molded to Body	Cast Iron / EPDM	A126, Class B
2	1	Disc (2 halves)	Stainless Steel	304
3	2	Torsion Spring	Stainless Steel	316
4	1	Disc Hinge Pin	Stainless Steel	304
5	1	Disc Stop Pin	Stainless Steel	304
6	7	Disc Bearing	PTFE	-----
7	2	Hinge Pin Retainer	Steel	-----
8	2	Stop Pin Retainer	Steel	-----
9	1	Eye Bolt	Steel	-----

Dimensions

Size (ØA)		Part #	B		ØC		ØD		ØE		F		Weight	
inch	mm		inch	mm	inch	mm	inch	mm	inch	mm	inch	mm	lbs	kg
14	350	3009	7-1/4	184	17-3/4	451	14	356	12-1/2	318	2-1/2	64	120	55
16	400	3010	7-1/2	190	20-1/8	511	16-1/2	419	15	381	3-1/2	89	170	77
18	450	3011	8	203	21-1/2	546	18-1/2	470	17	432	4-1/4	108	180	82
20	500	3012	8-5/16	211	24-3/8	619	20-1/2	521	19	483	5-1/4	133	250	114
24	600	3013	8-3/4	222	28-1/8	714	24-1/2	622	23	584	7-1/8	181	360	163

Flomatic Valves can accept no responsibility for possible errors in catalogues, brochures and other printed material. Flomatic Valves reserves the right to alter its products without notices. This also applies to product already agreed. All trademarks in this material are property of the respective companies. All rights reserved. ©2019 Flomatic Valves. The drawings & information on this drawing sheet are the sole & exclusive property of Flomatic Valves. Any reproduction, distribution, display or use of these drawings or information in whole or in part without written authorization of Flomatic Valves is strictly prohibited. www.flomatic.com