

Globe Style

Silent Check

Model 402S6



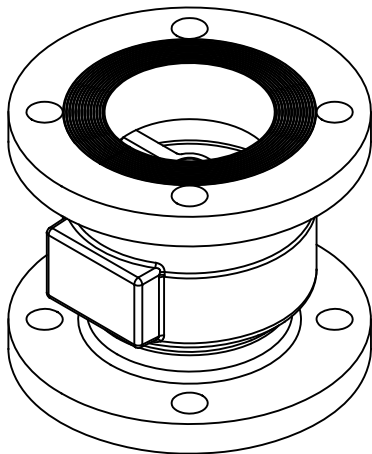
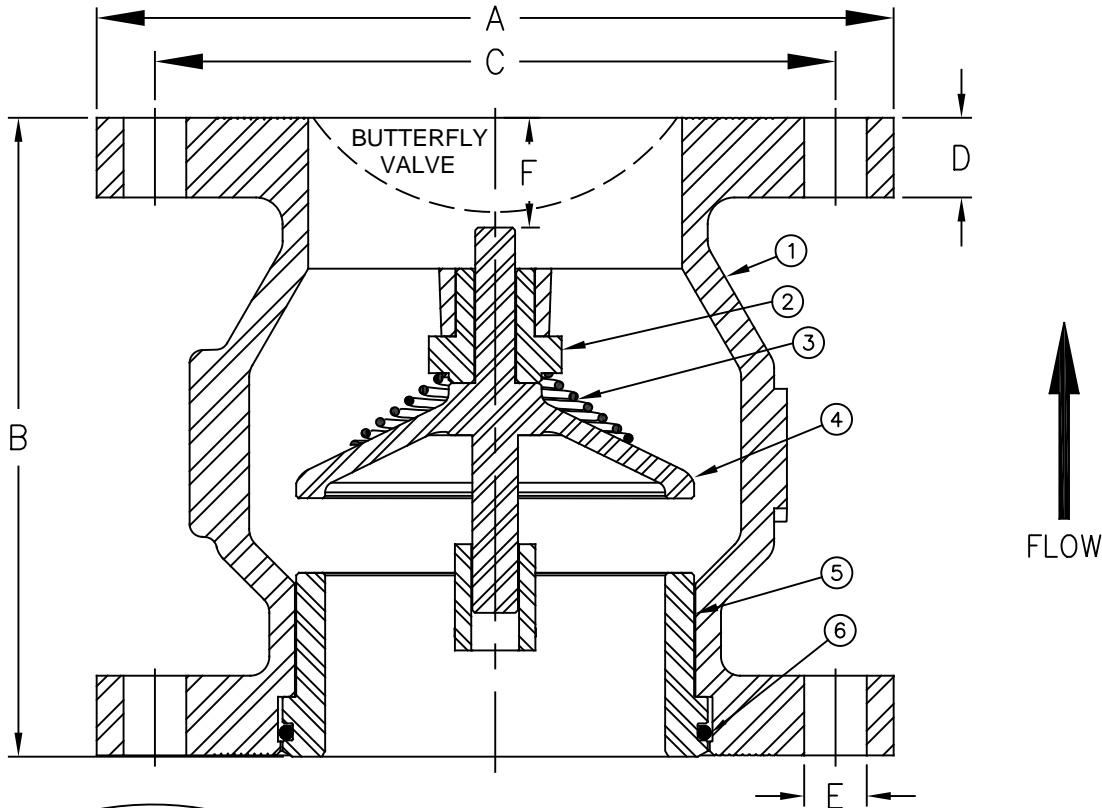
Sizes 2" Thru 4" / 50 mm Thru 100 mm
150# Flange

Flomatic Corporation

LEAD FREE
NSF/ANSI 61



Materials



Item #	Qty	Description	Material	ASTM
1	1	Body	Stainless Steel	316
2	1	Bushing	Stainless Steel	316
3	1	Spring	Stainless Steel	316
4	1	Poppet	Stainless Steel	316
5	1	*Seat Ring	Stainless Steel	316
6	1	O-Ring	EPDM	5778-70

*OPTIONAL RESILIENT SEAT AVAILABLE, ADD "R" TO THE PART NUMBER

Max Temp 200°F (93°C)

Max Inlet Pressure @ 100°F (38°C) 150# 275 psi (19bar)

MSS SP-126 Compliant

Patent # 6,024,121

Dimensions (150# Ansi B16.5 Flanges)

Size	Part #	ØA		B		ØC		D		ØE		F		Weight		Bolt Size	# of Bolts
		inch	mm	inch	mm	inch	mm	inch	mm	inch	mm	inch	mm	lbs	kg		
2	2239S6	6	152	5-1/4	133	4-3/4	121	5/8	16	3/4	19	1-19/64	33	13	6	5/8	4
2-1/2	2240S6	7	178	5-1/2	140	5-1/2	140	11/16	18	3/4	19	1-1/16	27	18	8	5/8	4
3	2241S6	7-1/2	191	6	152	6	152	3/4	19	3/4	19	1-3/8	35	23	10	5/8	4
4	2242S6	9	229	7-1/4	184	7-1/2	191	15/16	24	3/4	19	1-19/32	41	40	18	5/8	8

Flomatic Corporation can accept no responsibility for possible errors in catalogues, brochures and other printed material. Flomatic Corporation reserves the right to alter its products without notices. This also applies to product already agreed. All trademarks in this material are property of the respective companies. All rights reserved. ©2020 Flomatic Corporation. The drawings & information on this drawing sheet are the sole & exclusive property of Flomatic Corporation. Any reproduction, distribution, display or use of these drawings or information in whole or in part without written authorization of Flomatic Corporation is strictly prohibited. www.flomatic.com



November 16, 2012
Dwg No: S402BT-1S6 Rev: E (3/20)

FLOMATIC CORPORATION
GLENS FALLS, N.Y. 12801
PHONE (518) 761-9797
FAX (518) 761-9798