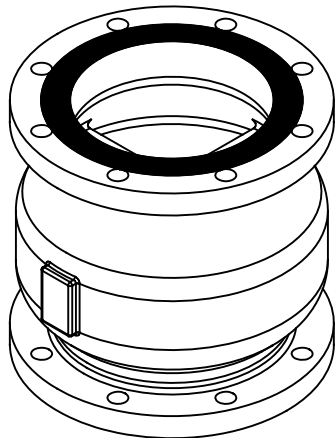
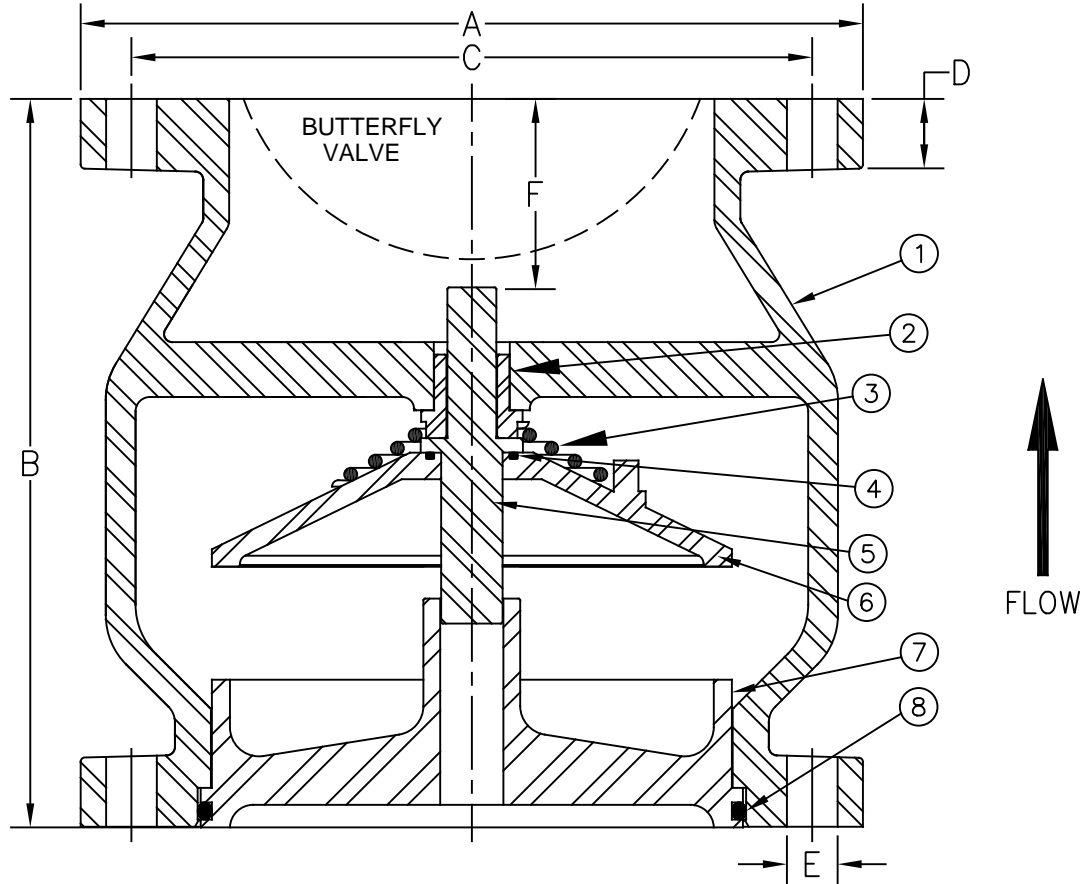




Materials



Item #	Qty	Description	Material	ASTM
1	1	Body	Stainless Steel	316
2	1	Bushing	Stainless Steel	316
3	1	Spring	Stainless Steel	316
4	1	O'ring	EPDM	5778-70
5	1	Stem	Stainless Steel	316
6	1	Poppet	Stainless Steel	316
7	1	*Seat Ring	Stainless Steel	316
8	1	O-Ring	EPDM	5778-70

*OPTIONAL RESILIENT SEAT AVAILABLE, ADD "R" TO THE PART NUMBER

Max Temp 200°F (93°C)

Max Inlet Pressure @ 100°F (38°C) 150# 275 psi (19bar)

MSS SP-126 Compliant

Patent # 6,024,121

Dimensions (150# Ansi B16.5 Flanges)

Size		Part #	ØA		B		ØC		D		ØE		F		Weight		Bolt Size	# of Bolts
inch	mm		inch	mm	inch	mm	inch	mm	inch	mm	inch	mm	inch	mm	lbs	kg		
6	150	2244S6	11	279	9-3/4	248	9-1/2	241	1	25	7/8	22	2-7/16	62	75	34	3/4	8
8	200	2245S6	13-1/2	343	12-9/16	319	11-3/4	299	1-1/8	29	7/8	22	3-1/4	83	116	53	3/4	8

Flomatic Corporation can accept no responsibility for possible errors in catalogues, brochures and other printed material. Flomatic Corporation reserves the right to alter its products without notices. This also applies to product already agreed. All trademarks in this material are property of the respective companies. All rights reserved. ©2020 Flomatic Corporation. The drawings & information on this drawing sheet are the sole & exclusive property of Flomatic Corporation. Any reproduction, distribution, display or use of these drawings or information in whole or in part without written authorization of Flomatic Corporation is strictly prohibited. www.flomatic.com