

Globe Style

Silent Check

Model 402S6

FLOMATIC[®]

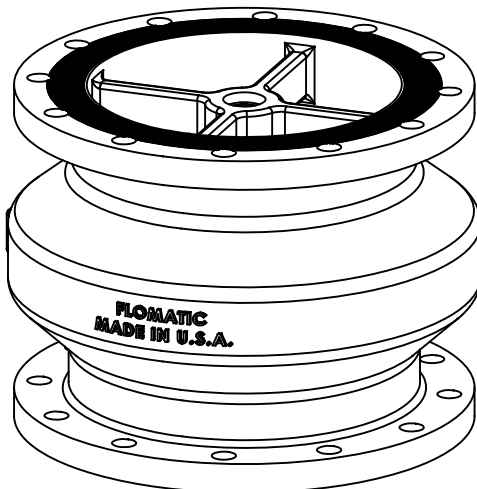
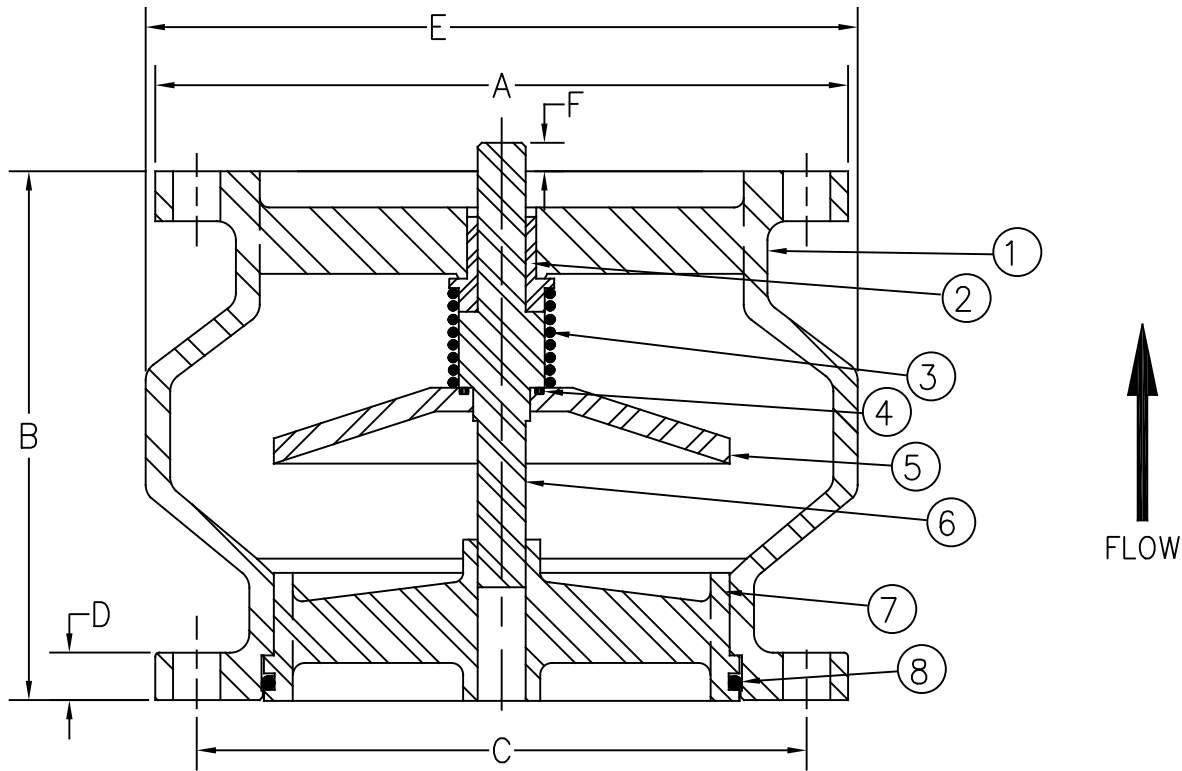
Sizes 12" / 300 mm
150# Flange

Flomatic Corporation

LEAD FREE
NSF/ANSI 61



Materials



Item #	Qty	Description	Material	ASTM
1	1	Body (Epoxy Coated)	Stainless Steel	316
2	1	Bushing	Stainless Steel	316
3	1	Spring	Stainless Steel	316
4	1	O'Ring	EPDM	5778-70
5	1	Poppet	Stainless Steel	316
6	1	Stem	Stainless Steel	316
7	1	*Seat Ring	Stainless Steel	316
8	1	O'Ring	EPDM	5778-70

*OPTIONAL RESILIENT SEAT AVAILABLE, ADD "R" TO THE PART NUMBER
Max Temp 200°F (93°C)

Max Inlet Pressure @ 100°F (38°C) 150# 275 psi (19bar)
MSS SP-126 Compliant

Patent # 6,024,121

Dimensions (150# Ansi B16.5 Flanges)

Size		Part #	ØA		B		ØC		D		ØE		F		Weight		Bolt Size	# of Bolts
inch	mm		inch	mm	inch	mm	inch	mm	inch	mm	inch	mm	inch	mm	lbs	kg		
12	300	2248SS	19	483	14-1/2	368	17	432	1-1/4	32	19-1/2	495	13/16	21	306	139	7/8	12

Flomatic Corporation can accept no responsibility for possible errors in catalogues, brochures and other printed material. Flomatic Corporation reserves the right to alter its products without notices. This also applies to product already agreed. All trademarks in this material are property of the respective companies. All rights reserved. ©2020 Flomatic Corporation. The drawings & information on this drawing sheet are the sole & exclusive property of Flomatic Corporation. Any reproduction, distribution, display or use of these drawings or information in whole or in part without written authorization of Flomatic Corporation is strictly prohibited. www.flomatic.com

FLOMATIC[®] VALVES

November 16, 2012
Dwg No: S402BT-3S6 Rev: D (3/20)

FLOMATIC CORPORATION
GLENS FALLS, N.Y. 12801
PHONE (518) 761-9797
FAX (518) 761-9798