

Globe Style

Silent Check

Model 402ST

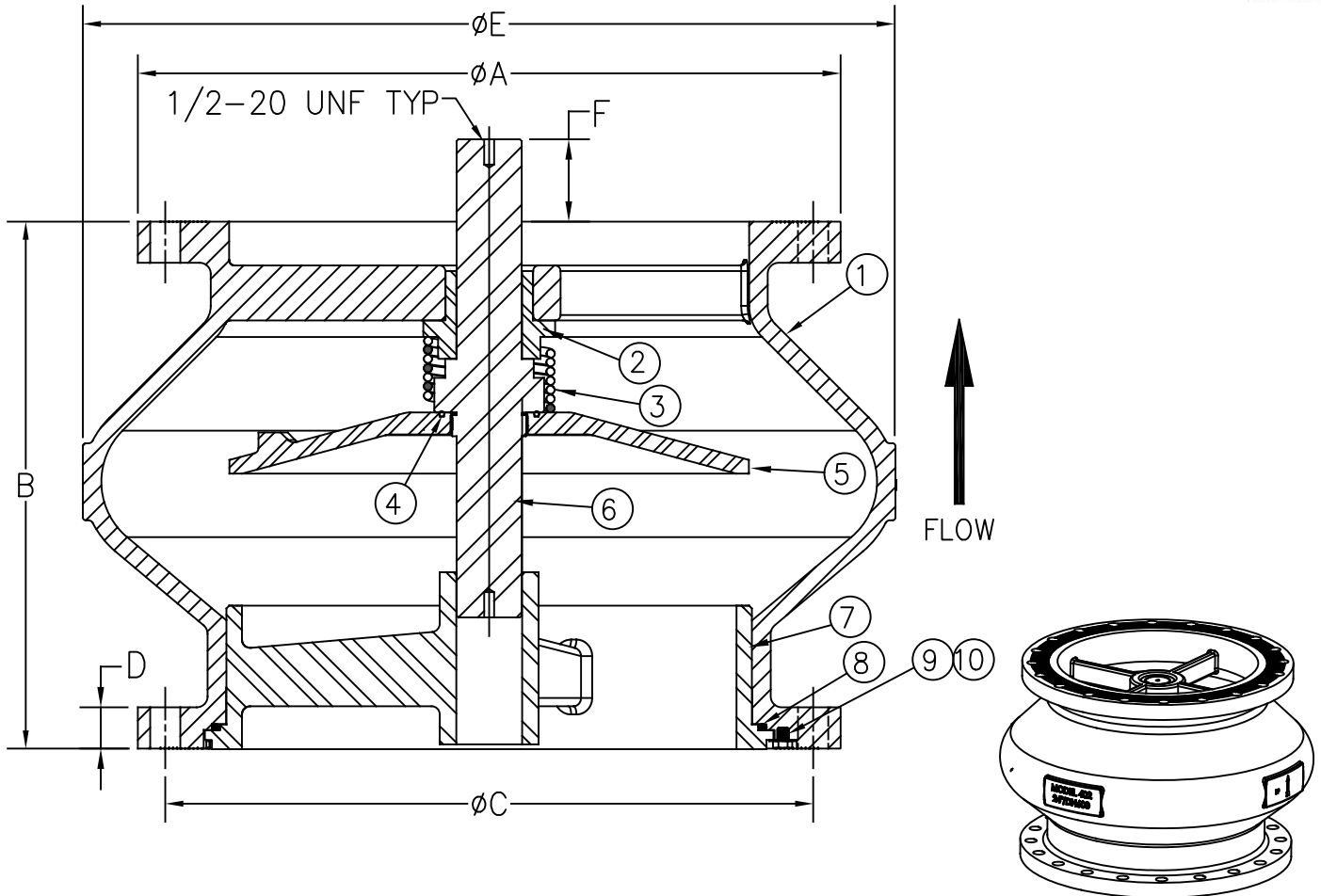


Flomatic Corporation

Sizes 16" thru 24" / 400 mm thru 600 mm
150# Flange



Materials



Item #	Qty	Description	Material	ASTM	Item #	Qty	Description	Material	ASTM
1	1	Body (Epoxy Coated)	Ductile Iron	A536 65-45-12	6	1	Stem	Stainless Steel	316
2	1	Bushing	Stainless Steel	316	7	1	Seat Ring	Stainless Steel	316
3	1	Spring	Stainless Steel	302	8	1	O-Ring*	Buna-N*	-----
4	1	O-Ring*	Buna-N*	-----	9	A/R	Hex Head Cap Screw	Stainless Steel	316
5	1	Poppet	Stainless Steel	316	10	A/R	Washer	Stainless Steel	316

*For NSF 61 approved valve order optional EPDM
Max Temp 180°F (82°C)
Max Inlet Pressure @ 150° F (65°C) 150# 250 psi (17bar)
MSS SP-125 Compliant
PATENT # 6,024,121

Dimensions (150# Ansi B16.42 Flanges)

Size		Part #	ØA		B		ØC		D		ØE		F		Weight		Flange	
inch	mm		inch	mm	inch	mm	inch	mm	inch	mm	inch	mm	inch	mm	lbs	kg	Bolt Size	# of Bolts
16	400	2250STR	23-1/2	597	17-5/8	448	21-1/4	540	1-7/16	37	25	635	2-1/16	52	457	207	1	16
20	500	2252STR	27-1/2	699	20-5/8	524	25	635	1-11/16	43	31	787	3-1/16	78	750	340	1-1/8	20
24	600	2254STR	32	813	24	610	29-1/2	749	1-7/8	48	37	940	3-3/4	95	1155	524	1-1/4	20

Flomatic Corporation can accept no responsibility for possible errors in catalogues, brochures and other printed material. Flomatic Corporation reserves the right to alter its products without notices. This also applies to product already agreed. All trademarks in this material are property of the respective companies. All rights reserved. ©2020 Flomatic Corporation. The drawings & information on this drawing sheet are the sole & exclusive property of Flomatic Corporation. Any reproduction, distribution, display or use of these drawings or information in whole or in part without written authorization of Flomatic Corporation is strictly prohibited. www.flomatic.com



April 4, 1995
Dwg No: S402ST-4 Rev: B (3/20)

FLOMATIC CORPORATION
GLENS FALLS, N.Y. 12801
PHONE (518) 761-9797
FAX (518) 761-9798