

Wafer Check Valve Silent Check Model 888S6VFD



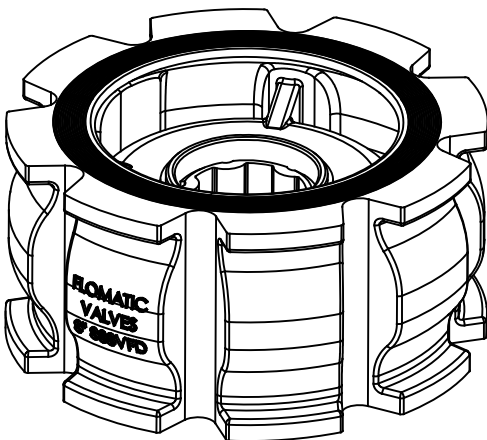
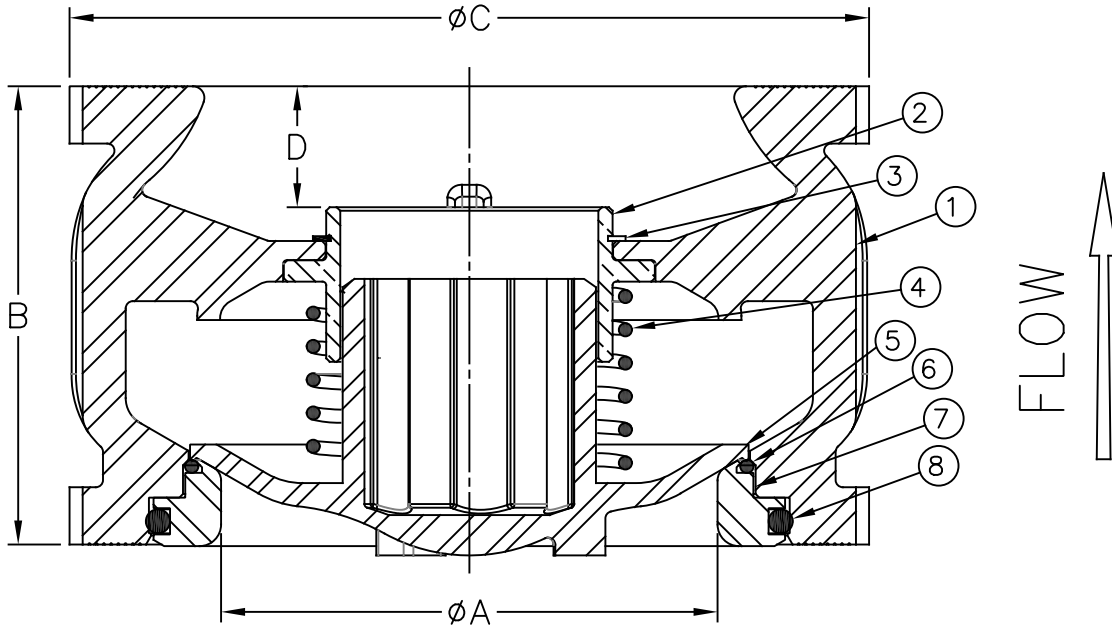
Flomatic Corporation

Sizes 8" Thru 10" / 200 mm & 250 mm

LEAD FREE
NSF/ANSI 61



Materials



Item #	Qty	Description	Material	ASTM
1	1	Body	Stainless Steel	CF8M 316
2	1	Bushing	Bronze	C95400
3	1	Snap Ring	Stainless Steel	302
4	1	Spring	Stainless Steel	302
5	1	Poppet	Stainless Steel	CF8M 316
6*	1	O'Ring*	EPDM	5778-70
7	1	Seat Ring	Stainless Steel	CF8M 316
8	1	O'Ring	EPDM	5778-70

*RESILIENT SEATING IS STANDARD

Max Temp 200°F (93°C)

Max Inlet Pressure @ 100° F (38°C) 150# 275 psi (19bar)

Max Inlet Pressure @ 100° F (38°C) 300# 475 psi (33bar)

MSS SP-126 Compliant

PATENT # 6,024,121

Dimensions

Size		Part #	A		B		C		D		Weight		# of Bolts		Bolt Size by Flange	
inch	mm		inch	mm	inch	mm	inch	mm	inch	mm	lbs	kg	150#	300#	150#	300#
8	200	2438S6VFD	8-7/32	209	6-1/2	165	13-3/8	340	1-37/64	40	75	34	8	N/A	3/4 x 9	N/A
10	250	2439S6VFD	10-7/64	257	8-1/4	210	16	406	1-23/32	44	131	59	12	N/A	7/8 x 12-1/2	N/A

Flomatic Corporation can accept no responsibility for possible errors in catalogues, brochures and other printed material. Flomatic Corporation reserves the right to alter its products without notices. This also applies to product already agreed. All trademarks in this material are property of the respective companies. All rights reserved. ©2020 Flomatic Corporation. The drawings & information on this drawing sheet are the sole & exclusive property of Flomatic Corporation. Any reproduction, distribution, display or use of these drawings or information in whole or in part without written authorization of Flomatic Corporation is strictly prohibited. www.flomatic.com



July 20, 2016
Dwg No: S888S6VFD-2ST Rev C (2/20)

FLOMATIC CORPORATION
GLENS FALLS, N.Y. 12801
PHONE (518) 761-9797
FAX (518) 761-9798