

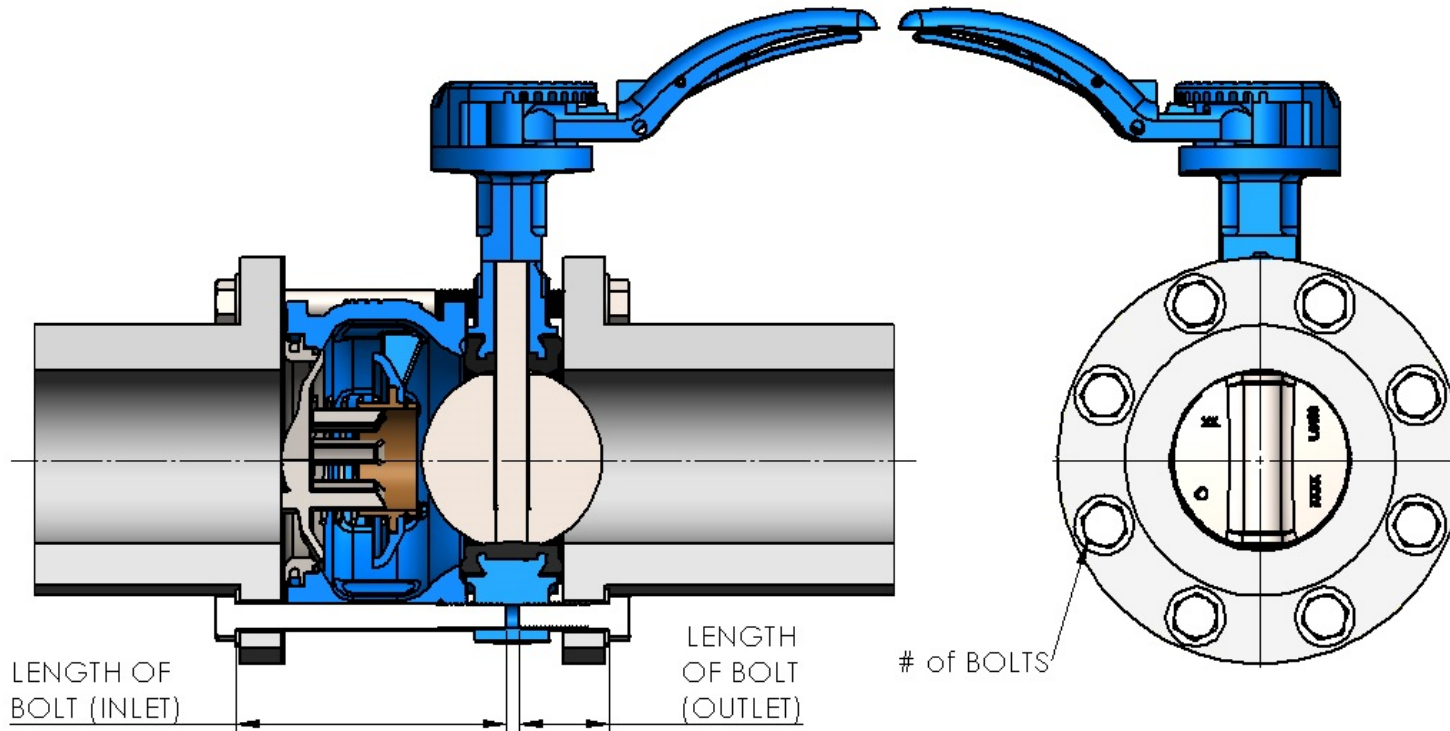
# Silent Check Valve

# Bolt Chart

# Model 888VFD



Sizes 2" thru 10" / 50 mm thru 250 mm  
888S6 VFD Included



## Dimensions (Direct Mounting to Sylax Lug Style Butterfly Only)

Size		Part #	# of Bolts	Bolt Size	Length of Bolt (Inlet)	Length of Bolt (Outlet)	Size		Part #	# of Bolts	Bolt Size	Length of Bolt (Inlet)	Length of Bolt (Outlet)
inch	mm						inch	mm					
2	50	2434VFD	4	5/8-11	4-1/2"	1-5/8"	4	100	2436VFD	8	5/8-11	6"	2"
2-1/2	65	2432VFD	4	5/8-11	4-3/4"	1-7/8"	5	125	2433VFD	8	3/4-10	6-3/4"	2"
3	75	2435VFD	4	5/8-11	5"	1-7/8"	6	150	2437VFD	8	3/4-10	7-1/2"	2-1/4"

Flomatic Corporation can accept no responsibility for possible errors in catalogues, brochures and other printed material. Flomatic Corporation reserves the right to alter its products without notices. This also applies to product already agreed. All trademarks in this material are property of the respective companies. All right reserved. ©2018 Flomatic Corporation. The drawings & information on this drawing sheet are the sole & exclusive property of Flomatic Corporation. Any reproduction, distribution, display or use of these drawings or information in whole or in part without written authorization of Flomatic Corporation is strictly prohibited. [www.flomatic.com](http://www.flomatic.com)



June 8, 2018  
Dwg No: S888BOLT Rev: 0

FLOMATIC CORPORATION  
GLENS FALLS, N.Y. 12801  
PHONE (518) 761-9797  
FAX (518) 761-9798