

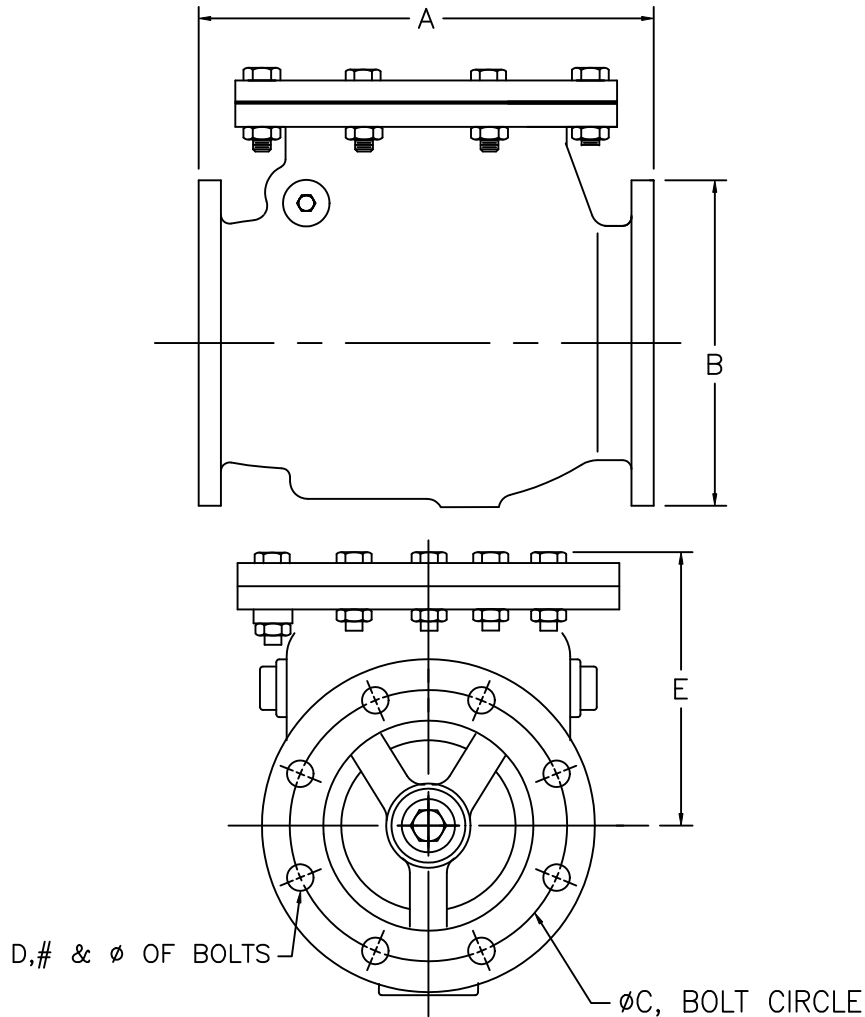
Swing Check Valve

Model 90

FLOMATIC®
Flomatic Corporation

Sizes 2" thru 30" / 50mm thru 750mm

Dimensional Data



Dimensions

Size		Part #	A		B		C		D		E		Weight	
Inch	mm		Inch	mm	Inch	mm	Inch	mm	Inch	mm	Inch	mm	lbs	kg
2	50	2704	8	203	6	152	4-3/4	121	(4) 5/8	16	6	152	36	16
3	80	2706	9-1/2	241	7-1/2	191	6	152	(4) 5/8	16	7-1/16	179	62	28
10	250	2711	24-1/2	622	16	406	14-1/4	362	(12) 7/8	22	13-15/16	354	522	237
12	300	2712	27-1/2	699	19	483	17	432	(12) 7/8	22	16-3/16	411	733	332
14	350	2714	31	787	21	533	18-3/4	476	(12) 1	25	18-3/4	476	1060	481
16	400	2716	36	914	23-1/2	597	21-1/4	540	(16) 1	25	19-1/16	484	1460	662
18	450	2718	40	1016	25	635	22-3/4	578	(16) 1-1/8	29	25	635	1750	794
20	500	2720	40	1016	27-1/2	699	25	635	(20) 1-1/8	29	24-1/2	622	2230	1012
24	600	2724	48	1219	32	813	29-1/2	749	(20) 1-1/4	32	24-11/16	627	3040	1379
30	750	2730	49-1/2	1257	38-3/4	984	36	914	(28) 1-1/4	32	28	711	5200	2359

Flomatic Corporation can accept no responsibility for possible errors in catalogues, brochures and other printed material. Flomatic Corporation reserves the right to alter its products without notices. This also applies to product already agreed. All trademarks in this material are property of the respective companies. All right reserved. ©2011 Flomatic Corporation. The drawings & information on this drawing sheet are the sole & exclusive property of Flomatic Corporation. Any reproduction, distribution, display or use of these drawings or information in whole or in part without written authorization of Flomatic Corporation is strictly prohibited.

FLOMATIC® VALVES

March 7, 1995
Dwg No: S6004 Rev: L (7/14)

FLOMATIC CORPORATION
GLENS FALLS, N.Y. 12801
PHONE (518) 761-9797
FAX (518) 761-9798