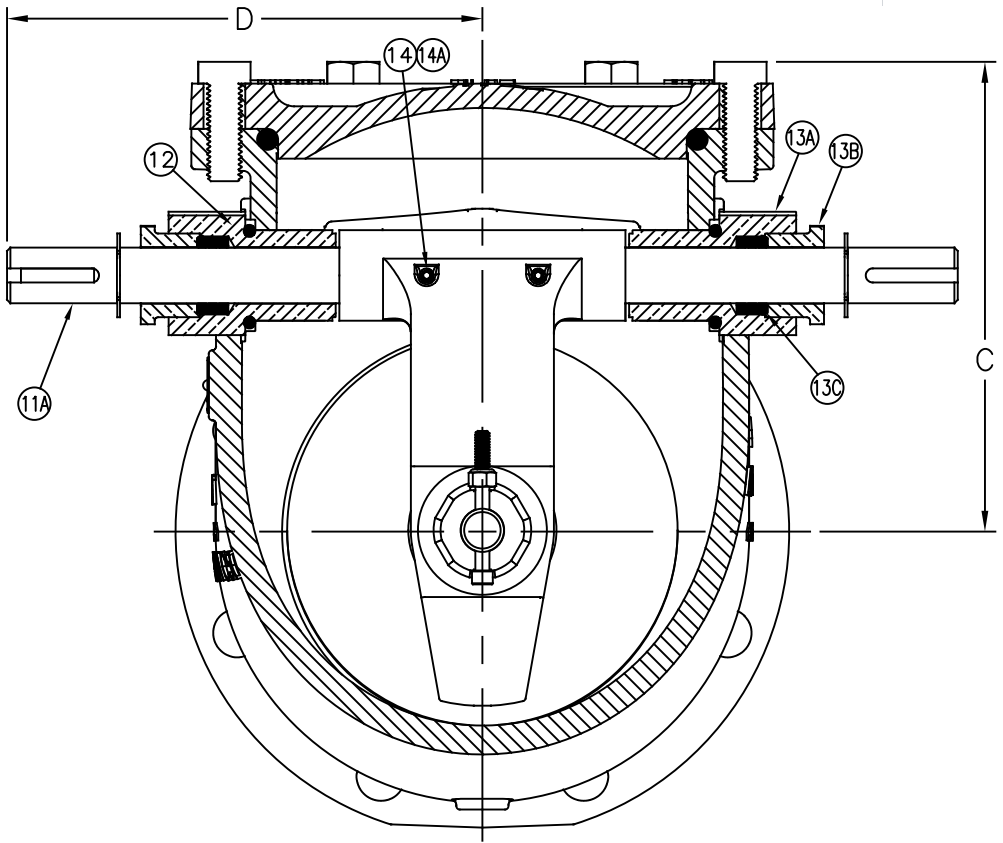
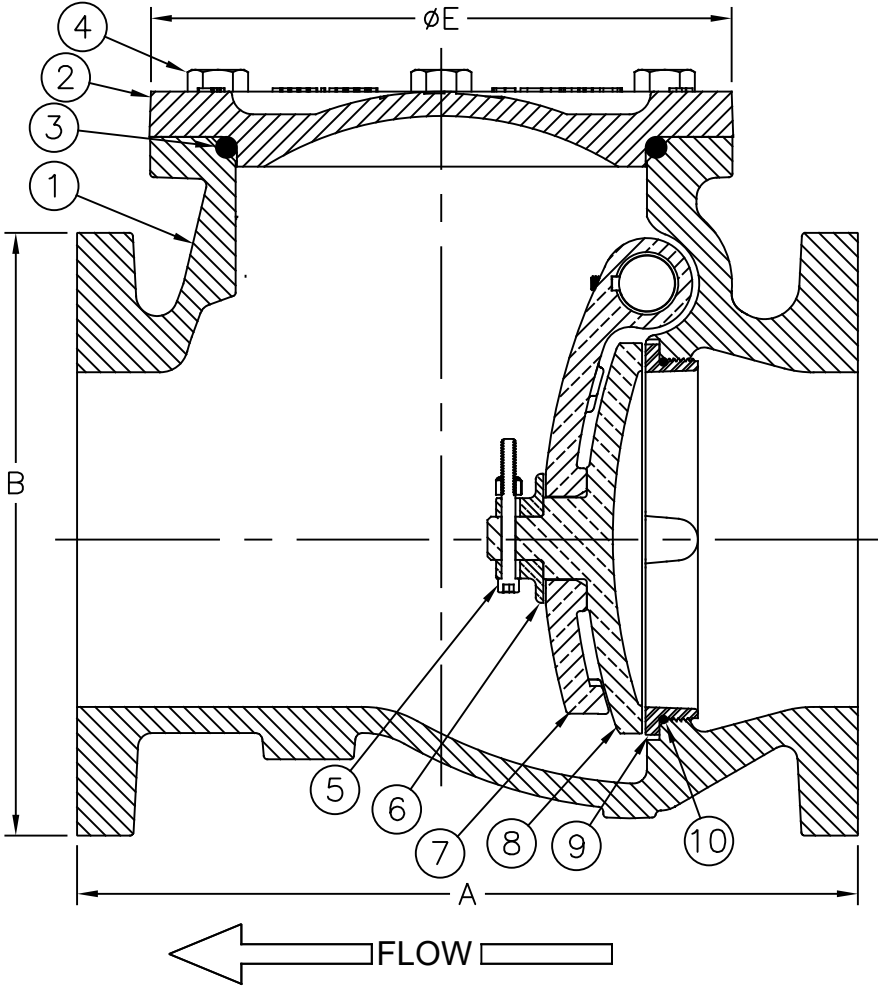


Swing Check Valves

Size 6" / 150 mm
 AIS COMPLIANT

Model 92L **FLOMATIC**[®]
 Flomatic Corporation



MANUFACTURED IN COMPLIANCE WITH
 AWWA C508 STANDARD

Flomatic Corporation can accept no responsibility for possible errors in catalogues, brochures and other printed material. Flomatic Corporation reserves the right to alter its products without notices. This also applies to product already agreed. All trademarks in this material are property of the respective companies. All rights reserved. ©2024 Flomatic Corporation. The drawings & information on this drawing sheet are the sole & exclusive property of Flomatic Corporation. Any reproduction, distribution, display or use of these drawings or information in whole or in part without written authorization of Flomatic Corporation is strictly prohibited. www.flomatic.com

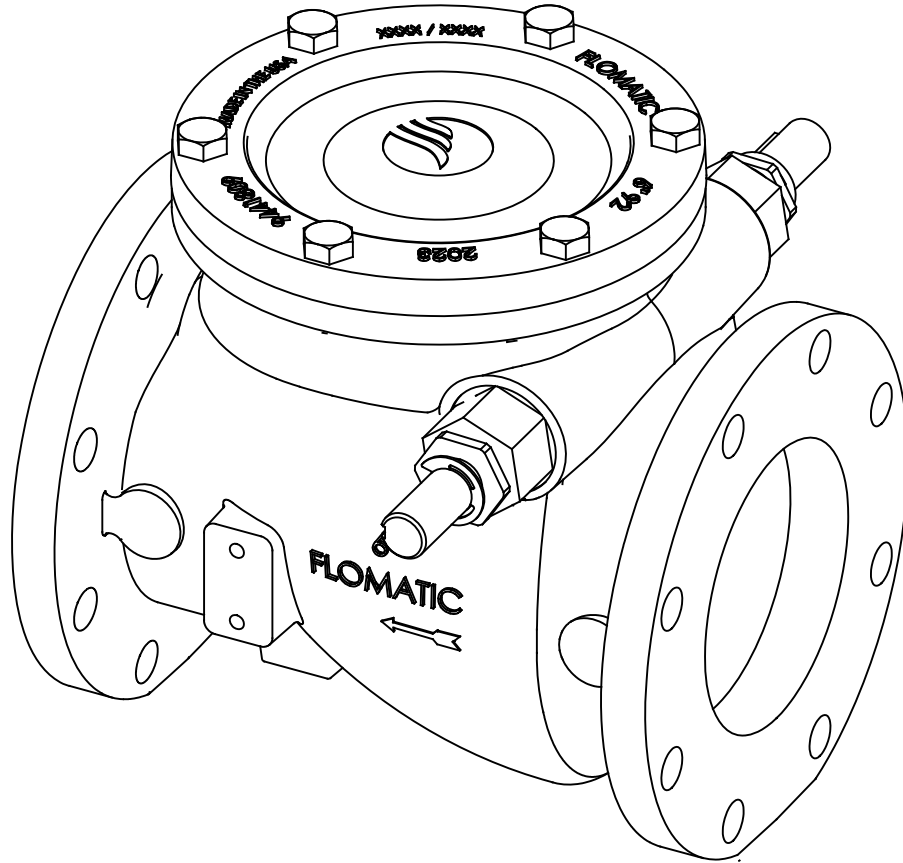
Swing Check Valve

Model 92L **FLOMATIC**[®]

Sizes 6" / 150 mm
 AIS COMPLIANT

Flomatic Corporation

Materials



Max Temp 180°F (82°C)
 Max Pressure 200psi (14bar)

Item #	Qty	Description	Material	ASTM	Item #	Qty	Description	Material	ASTM
1	1	Body (Epoxy Coated)	Cast Iron	A126	10	1	Seat Ring O-Ring	Buna-N	N6000AA
2	1	Cover (Epoxy Coated)	Cast Iron	A126	11A	1	Clapper Shaft	Stainless Steel	17-4
3	1	Cover O-Ring	Buna-N	N6000AA	12	2	Bearing O-Ring	Buna-N	N6000AA
4	4	Cover Bolt	Stainless Steel	18-8	13A	2	Support Bearing (Open End)	Bronze	B140
5	1	Clapper Screw & Nut	Stainless Steel	316	13B	2	Packing Nut	Bronze	B140
6	1	Clapper End Cap	Bronze	C89833	13C	8	Teflon Packing	Teflon	-----
7	1	Clapper Arm	Bronze	C89833	14	1	Screw	Stainless Steel	18-8
8	1	Clapper Plate	Bronze	C89833	14A	2	Key Stock	Stainless Steel	18-8
9	1	Seat Ring	Stainless Steel	304	14C	2	Retaining Rings	Stainless Steel	15-7

Optional resilient seat (Nitrile) available, add "R" to end of part number

Dimensions (150# ANSI B16.42 Flanges)

MANUFACTURED IN COMPLIANCE WITH AWWA C508 STANDARD

Size		Part #	A		B		C		D		ØE		Weight	
inch	mm		inch	mm	inch	mm	inch	mm	inch	mm	inch	mm	lbs	kg
6	150	3709L	14	356	10.81	275	8.42	214	8.52	216	10.44	265	131	60

Flomatic Corporation can accept no responsibility for possible errors in catalogues, brochures and other printed material. Flomatic Corporation reserves the right to alter its products without notices. This also applies to product already agreed. All trademarks in this material are property of the respective companies. All rights reserved. ©2024 Flomatic Corporation. The drawings & information on this drawing sheet are the sole & exclusive property of Flomatic Corporation. Any reproduction, distribution, display or use of these drawings or information in whole or in part without written authorization of Flomatic Corporation is strictly prohibited. www.flomatic.com