

Swing Check Valve

125 # Flange

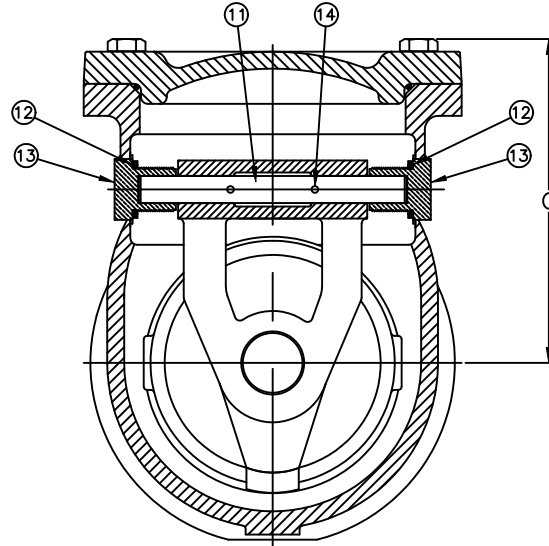
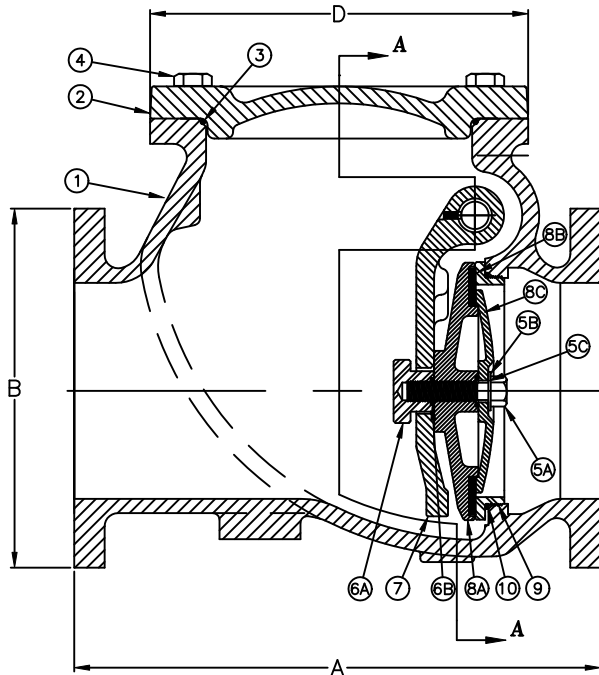
Model 92



Sizes 8" / 200 mm

Flomatic Corporation

Materials



Max Temp 180°F (82°C)
Max Pressure 200psi (14bar)

Item #	Qty	Description	Material	ASTM	Item #	Qty	Description	Material	ASTM
1	1	Body*	Cast Iron	A126	8A	1	Disc Holder*	Ductile Iron	65-45-12
2	1	Cover*	Cast Iron	A126	8B	1	Disc	EPDM	-----
3	1	O'Ring (Cover)	Buna-N	-----	8C	1	Disc Retainer*	Ductile Iron	65-45-12
4	6	Cover Bolt	Stainless Steel	18-8	9	1	Seat Ring	Stainless Steel	304
5A	1	Flapper Bolt	Stainless Steel	18-8	10	1	Seat Ring O'Ring	Buna-N	-----
5B	1	Flapper Washer	Stainless Steel	18-8	11	1	Flapper Support Shaft	Stainless Steel	17-4
5C	1	Flapper Bolt O'Ring	Buna-N	-----	12	2	Bearing O'Ring	Buna-N	-----
6A	1	Flapper Nut	Stainless Steel	304	13	2	Shaft Support Bearing	Bronze	B140
6B	1	Flapper Nut O'Ring	Buna-N	-----	14	1	Screw	Stainless Steel	18-8
7	1	Hinge Lever Arm*	Ductile Iron	65-45-12	* Epoxy Coated				

Dimensions

Size		Part #	A		B		C		ØD		Weight	
inch	mm		inch	mm	inch	mm	inch	mm	inch	mm	lbs	kg
8	200	3710	19-1/2	495	13-19/64	338	11-3/4	298	14	356	315	143

MANUFACTURED IN COMPLIANCE WITH AWWA C508 STANDARD

Flomatic Corporation can accept no responsibility for possible errors in catalogues, brochures and other printed material. Flomatic Corporation reserves the right to alter its products without notices. This also applies to product already agreed. All trademarks in this material are property of the respective companies. All right reserved. ©2011 Flomatic Corporation. The drawings & information on this drawing sheet are the sole & exclusive property of Flomatic Corporation. Any reproduction, distribution, display or use of these drawings or information in whole or in part without written authorization of Flomatic Corporation is strictly prohibited.



January 14, 2000
Dwg No: S3710 Rev: H (9/15)

FLOMATIC CORPORATION
GLENS FALLS, N.Y. 12801
PHONE (518) 761-9797
FAX (518) 761-9798