

Swing Check Valve

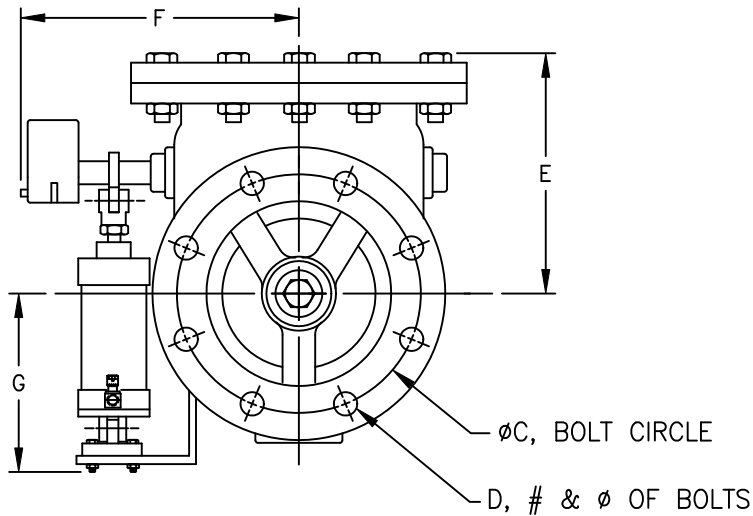
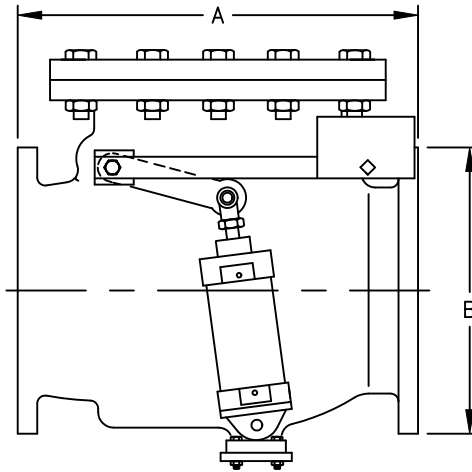
Model 90CS



Flomatic Corporation

Sizes 2" thru 30" / 50mm thru 750mm

Dimensional Data



Dimensions

Size		Part #	A		B		C		D		E		F		G		Weight	
inch	mm		inch	mm	inch	mm	inch	mm	inch	mm	inch	mm	inch	mm	inch	mm	lbs	kg
2	50	2704CS	8	203	6	152	4	102	(4) 5/8	16	6	152	6	152	10-1/2	267	28	13
3	80	2706CS	9-1/2	241	7-1/2	191	6	152	(4) 5/8	16	7-1/16	179	7	178	10-1/2	267	75	34
10	250	2711CS	24-1/2	622	16	406	14-1/4	362	(12) 7/8	22	13-15/16	354	14-1/2	368	8-1/2	216	600	272
12	300	2712CS	27-1/2	699	19	483	17	432	(12) 7/8	22	16-3/16	411	15-1/4	387	10	254	825	374
14	350	2714CS	31	787	21	533	18-3/4	476	(12) 1	25	18-3/4	476	17	432	10-1/2	267	1150	522
16	400	2716CS	36	914	23-1/2	597	21-1/4	540	(16) 1	25	19-1/16	484	19-1/2	495	11-3/4	298	1630	739
18	450	2718CS	40	1016	25	635	22-3/4	578	(16) 1-1/8	29	25	635	21	533	12-1/2	318	1953	886
20	500	2720CS	40	1016	27-1/2	699	25	635	(20) 1-1/8	29	24-1/2	622	22-3/8	568	13-3/4	349	2470	1120
24	600	2724CS	44	1219	32	813	29-1/2	749	(20) 1-1/4	32	24-11/16	627	28-1/2	724	16	406	3415	1549
30	750	2730CS	49-1/2	1257	38-3/4	984	36	914	(28) 1-1/4	32	28	711	30-5/8	778	38-3/4	495	5610	2545

Flomatic Corporation can accept no responsibility for possible errors in catalogues, brochures and other printed material. Flomatic Corporation reserves the right to alter its products without notices. This also applies to product already agreed. All trademarks in this material are property of the respective companies. All right reserved. ©2011 Flomatic Corporation. The drawings & information on this drawing sheet are the sole & exclusive property of Flomatic Corporation. Any reproduction, distribution, display or use of these drawings or information in whole or in part without written authorization of Flomatic Corporation is strictly prohibited.



March 7, 1995
Dwg No: S6008 Rev: N (7/13)

FLOMATIC CORPORATION
GLENS FALLS, N.Y. 12801
PHONE (518) 761-9797
FAX (518) 761-9798