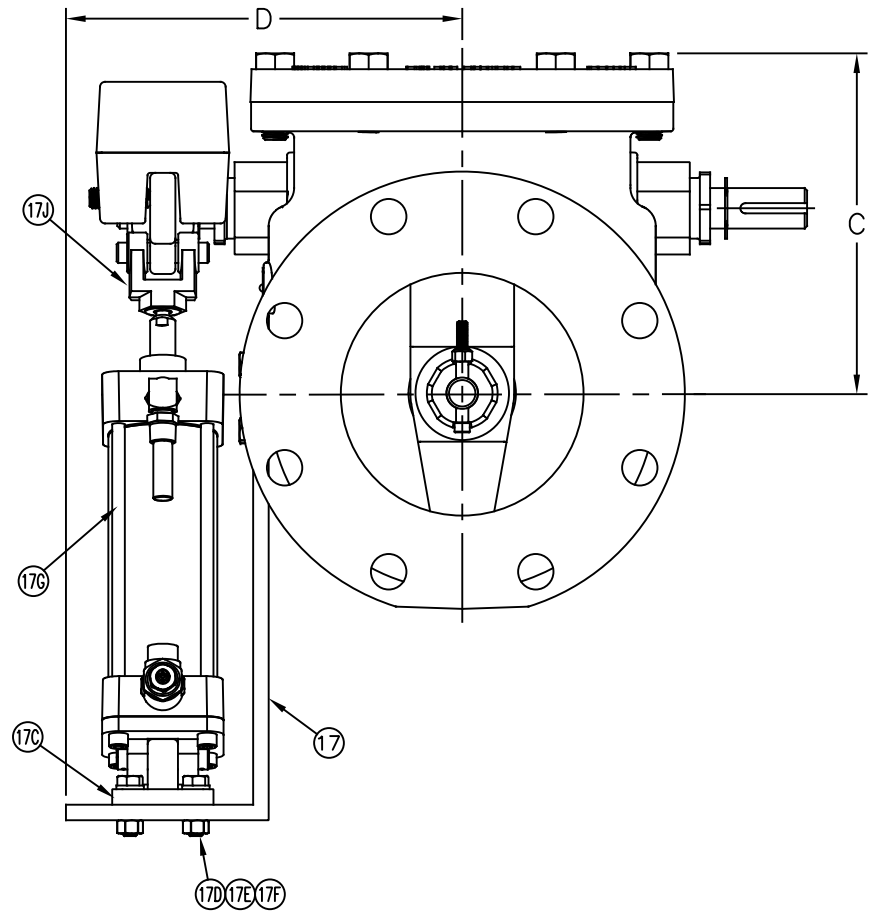
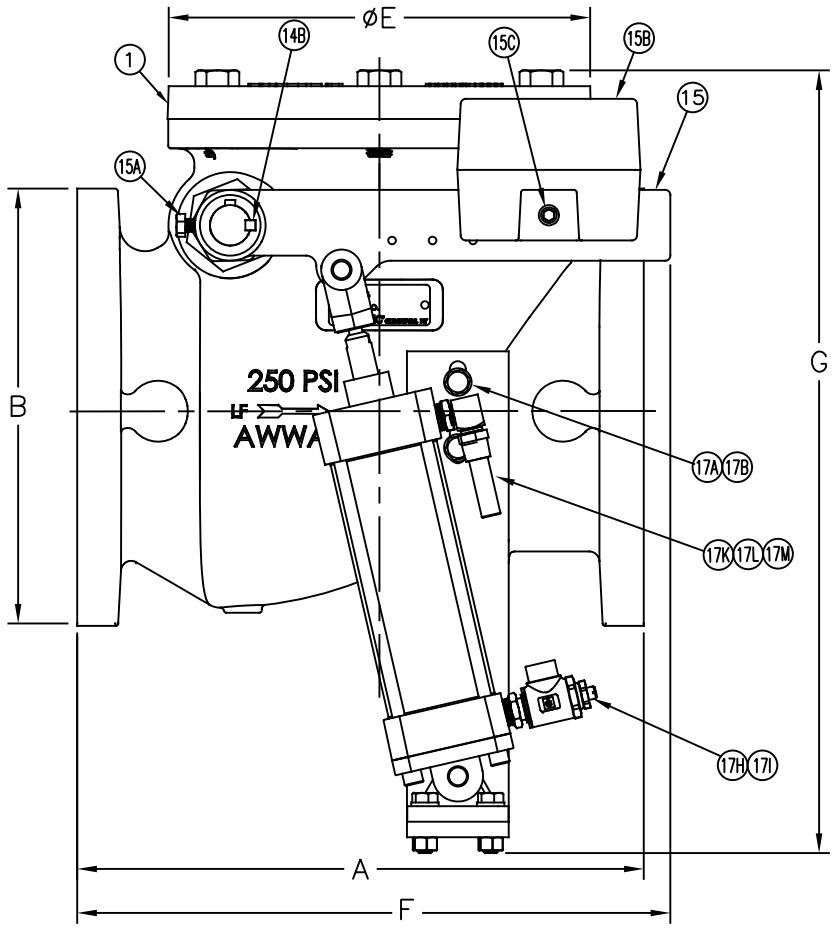


Swing Check Valves

Size 8" / 200 mm
 AIS COMPLIANT

Model 92CS **FLOMATIC**[®]
 Flomatic Corporation



MANUFACTURED IN
 COMPLIANCE WITH
 AWWA C508 STANDARD

Flomatic Corporation can accept no responsibility for possible errors in catalogues, brochures and other printed material. Flomatic Corporation reserves the right to alter its products without notices. This also applies to product already agreed. All trademarks in this material are property of the respective companies. All rights reserved. ©2024 Flomatic Corporation. The drawings & information on this drawing sheet are the sole & exclusive property of Flomatic Corporation. Any reproduction, distribution, display or use of these drawings or information in whole or in part without written authorization of Flomatic Corporation is strictly prohibited. www.flomatic.com

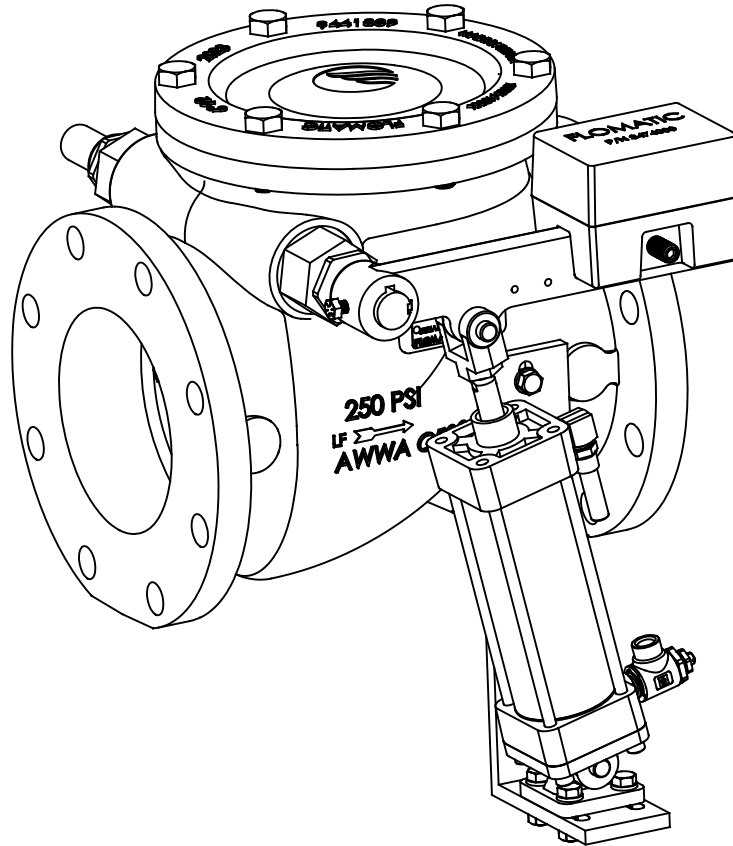


Swing Check Valve

Sizes 6" / 150 mm
AIS COMPLIANT

Model 92CS **FLOMATIC**[®]
Flomatic Corporation

Materials (Cushion Swing)



Max Temp 180°F (82°C)
Max Pressure 200psi (14bar)

Item #	Qty	Description	Material	ASTM	Item #	Qty	Description	Material	ASTM
1	1	Body*	See spec sheet S3709L		17D	4	Nut	Zinc Plated	-----
14B	1	Key Stock	Stainless Steel	18-8	17E	4	Bolt	Zinc Plated	-----
15	1	Lever Arm*	Hot Rolled Steel	-----	17F	4	Washer	Zinc Plated	-----
15A	1	Bolt	Stainless Steel	18-8	17G	1	Cylinder	See Spec Sheet S90CSCYL	
15B	1	Weight	Steel	-----	17H	2	Bushing	Brass	Lead Free
15C	2	SHSS	Stainless Steel	18-8	17I	1	Flow Control	Bronze	Lead Free
17	1	Bracket*	Hot Rolled Steel	-----	17J	1	Rod Clevis Assembly	Carbon Steel	-----
17A	2	Bolt	Stainless Steel	18-8	17K	1	Nipple	Bronze	Lead Free
17B	2	Washer	Stainless Steel	18-8	17L	1	Street Elbow	Bronze	Lead Free
17C	1	Mounting Plate	Carbon Steel	-----	17M	1	Finger Stainer	Bronze	Lead Free

Dimensions (150# ANSI B16.42 Flanges)

MANUFACTURED IN COMPLIANCE WITH AWWA C508 STANDARD

Size		Part #	A		B		C		D		ØE		F		G		Weight	
inch	mm		inch	mm	inch	mm	inch	mm	inch	mm	inch	mm	inch	mm	inch	mm	lbs	kg
6	150	3709CS	14	356	10.81	275	8.42	214	9.80	249	10.44	265	14.66	372	19.34	491	154	70

Flomatic Corporation can accept no responsibility for possible errors in catalogues, brochures and other printed material. Flomatic Corporation reserves the right to alter its products without notices. This also applies to product already agreed. All trademarks in this material are property of the respective companies. All rights reserved. ©2024 Flomatic Corporation. The drawings & information on this drawing sheet are the sole & exclusive property of Flomatic Corporation. Any reproduction, distribution, display or use of these drawings or information in whole or in part without written authorization of Flomatic Corporation is strictly prohibited. www.flomatic.com