

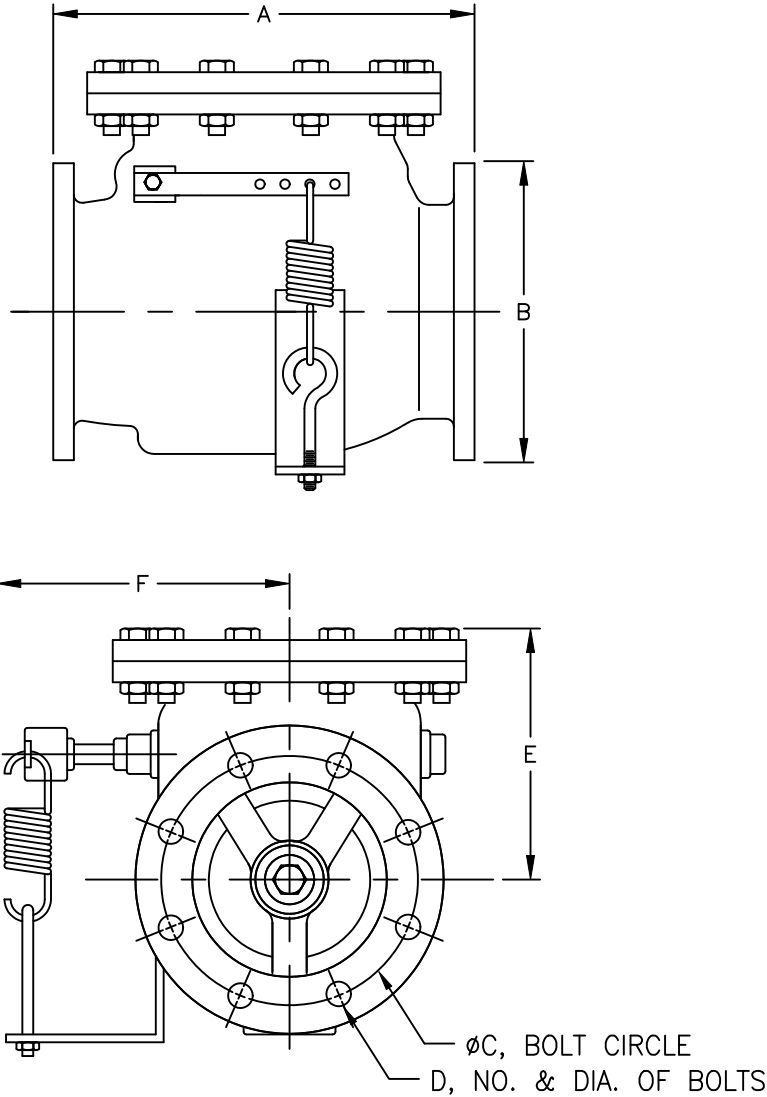
Swing Check Valve

Model 90LS



Sizes 2" thru 30" / 50mm thru 750mm

Dimensional Data



Dimensions

Size		Part #	A		B		C		D		E		F		Weight	
inch	mm		inch	mm	inch	mm	inch	mm	inch	mm	inch	mm	inch	mm	lbs	kg
2	50	2704LS	8	203	6	152	4	102	(4) 5/8	16	6	152	5	127	36	16
3	80	2706LS	9-1/2	241	7-1/2	191	6	152	(4) 5/8	16	7-1/16	179	5-1/2	140	62	28
10	250	2711LS	24-1/2	622	16	406	14-1/4	362	(12) 7/8	22	13-15/16	354	13-1/4	337	522	237
12	300	2712LS	27-1/2	699	19	483	17	432	(12) 7/8	22	16-3/16	411	15-1/8	384	733	332
14	350	2714LS	31	787	21	533	18-3/4	476	(12) 1	25	18-3/4	476	15-1/2	394	1150	522
16	400	2716LS	36	914	23-1/2	597	21-1/4	540	(16) 1	25	19-1/16	484	17-3/4	451	1630	739
18	450	2718LS	40	1016	25	635	22-3/4	578	(16) 1-1/8	29	25	635	18-5/8	473	1835	832
20	500	2720LS	40	1016	27-1/2	699	25	635	(20) 1-1/8	29	24-1/2	622	20	508	2500	1134
24	600	2724LS	48	1219	32	813	29-1/2	749	(20) 1-1/4	32	24-11/16	627	22-1/2	572	3415	1549
30	750	2730LS	49-1/2	1257	38-3/4	984	36	914	(28) 1-1/4	32	28	711	25-1/8	638	4950	2245

Flomatic Corporation can accept no responsibility for possible errors in catalogues, brochures and other printed material. Flomatic Corporation reserves the right to alter its products without notices. This also applies to product already agreed. All trademarks in this material are property of the respective companies. All right reserved. ©2011 Flomatic Corporation. The drawings & information on this drawing sheet are the sole & exclusive property of Flomatic Corporation. Any reproduction, distribution, display or use of these drawings or information in whole or in part without written authorization of Flomatic Corporation is strictly prohibited.



January 2, 1991
Dwg No: S6013 Rev: K (7/13)

FLOMATIC CORPORATION
GLENS FALLS, N.Y. 12801
PHONE (518) 761-9797
FAX (518) 761-9798