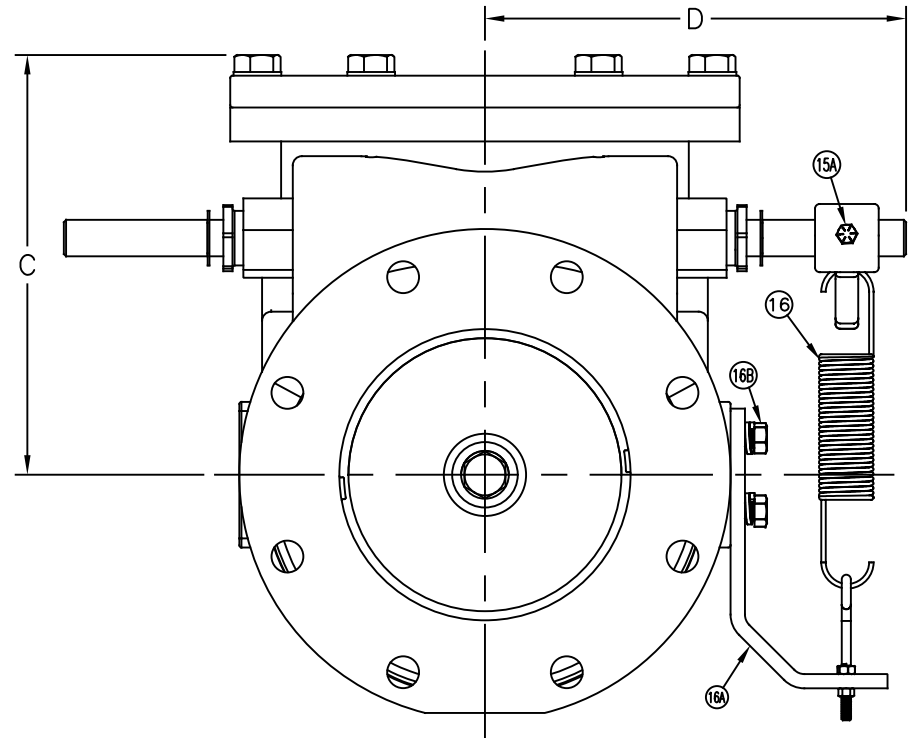
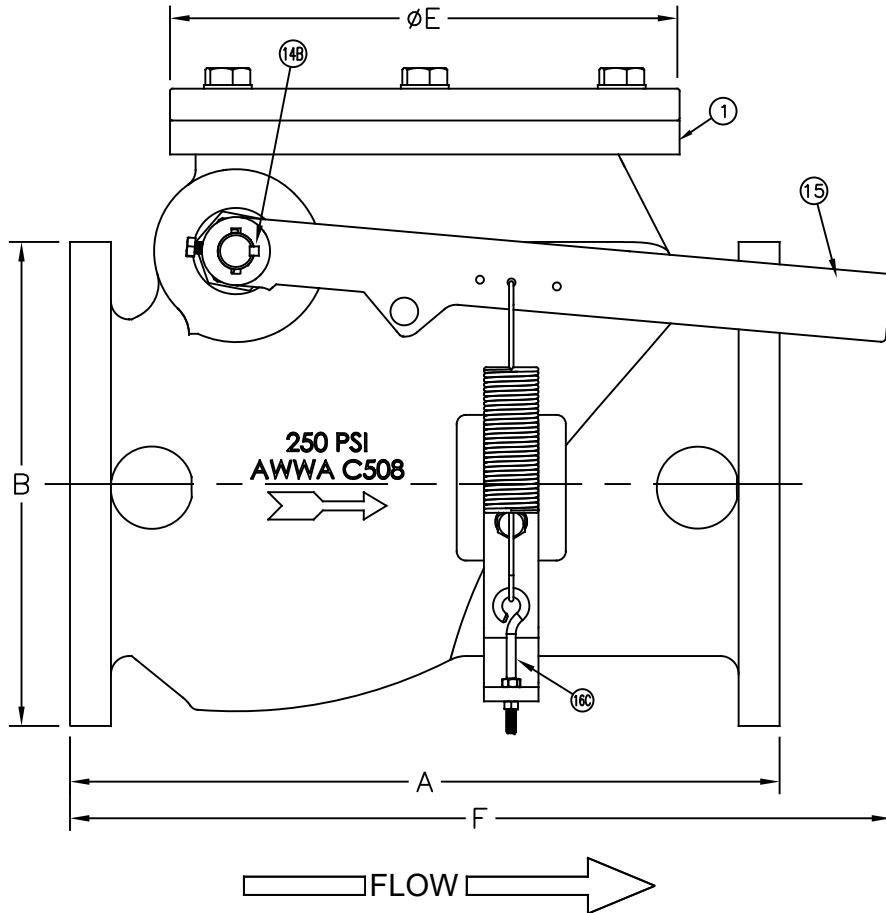


Swing Check Valves

Size 8" / 200 mm
 AIS COMPLIANT

Model 92LS **FLOMATIC**[®]
 Flomatic Corporation



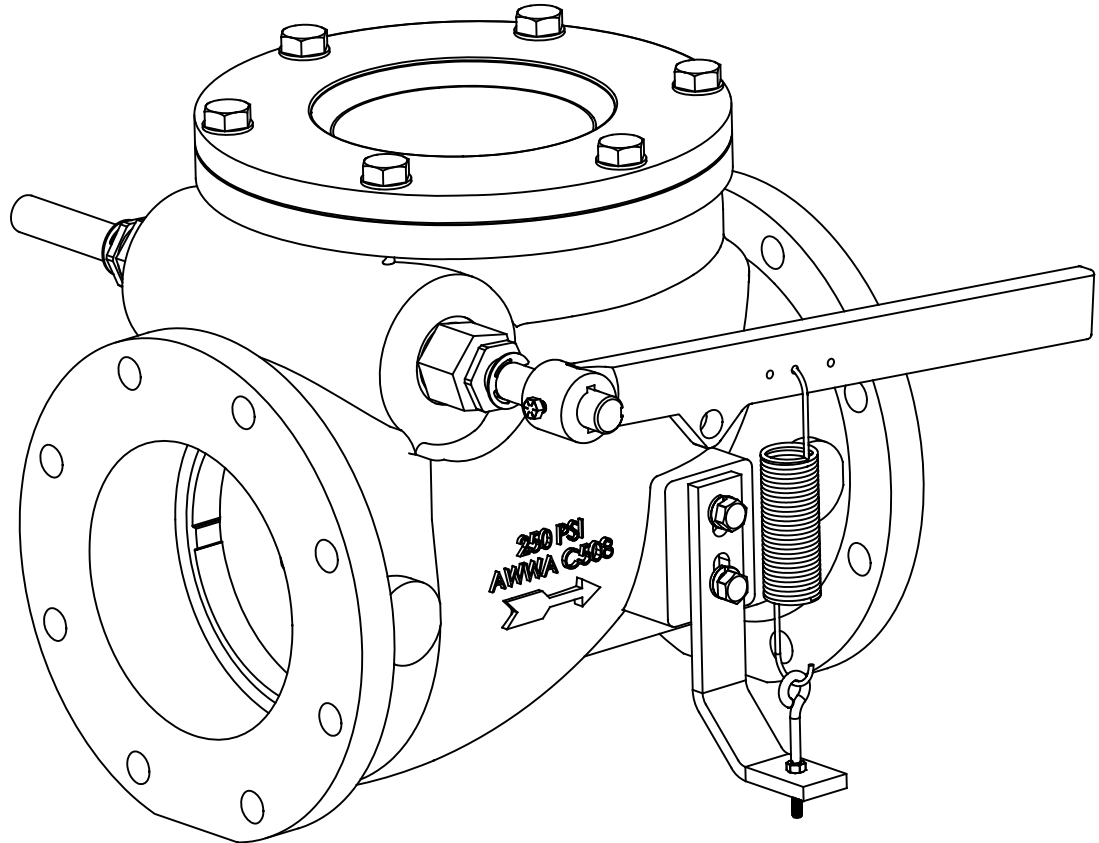
MANUFACTURED IN
 COMPLIANCE WITH
 AWWA C508 STANDARD

Flomatic Corporation can accept no responsibility for possible errors in catalogues, brochures and other printed material. Flomatic Corporation reserves the right to alter its products without notices. This also applies to product already agreed. All trademarks in this material are property of the respective companies. All rights reserved. ©2024 Flomatic Corporation. The drawings & information on this drawing sheet are the sole & exclusive property of Flomatic Corporation. Any reproduction, distribution, display or use of these drawings or information in whole or in part without written authorization of Flomatic Corporation is strictly prohibited. www.flomatic.com

Swing Check Valve

Sizes 8" / 200 mm
AIS COMPLIANT

Materials (Lever & Spring)



Max Temp 180°F (82°C)
Max Pressure 200psi (14bar)

Item #	Qty	Description	Material	ASTM	Item #	Qty	Description	Material	ASTM
1	1	Body*	See spec sheet S3710L		16	1	Spring	Stainless Steel	316
14B	1	Key Stock	Stainless Steel	18-8	16A	1	Bracket*	CRS	-----
15	1	Lever Arm*	Hot Rolled Steel	-----	16B	2	Bolt / Washer	Zinc Plated	-----
15A	1	Bolt	Stainless Steel	18-8	16C	1	Eyebolt	Zinc Plated	-----

* Epoxy Coated

Dimensions (150# ANSI B16.42 Flanges)

MANUFACTURED IN COMPLIANCE WITH AWWA C508 STANDARD

Size		Part #	A		B		C		D		ØE		F		Weight	
inch	mm		inch	mm	inch	mm	inch	mm	inch	mm	inch	mm	inch	mm	lbs	kg
8	200	3710LS	19.50	495	13.30	338	11.53	293	11.57	294	14	356	22.57	573	310	140

Flomatic Corporation can accept no responsibility for possible errors in catalogues, brochures and other printed material. Flomatic Corporation reserves the right to alter its products without notices. This also applies to product already agreed. All trademarks in this material are property of the respective companies. All rights reserved. ©2024 Flomatic Corporation. The drawings & information on this drawing sheet are the sole & exclusive property of Flomatic Corporation. Any reproduction, distribution, display or use of these drawings or information in whole or in part without written authorization of Flomatic Corporation is strictly prohibited. www.flomatic.com