

# Swing Check Valve

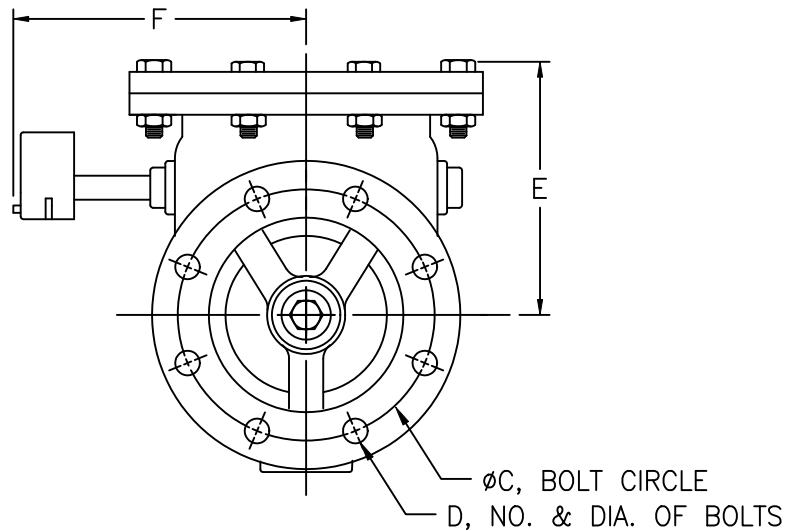
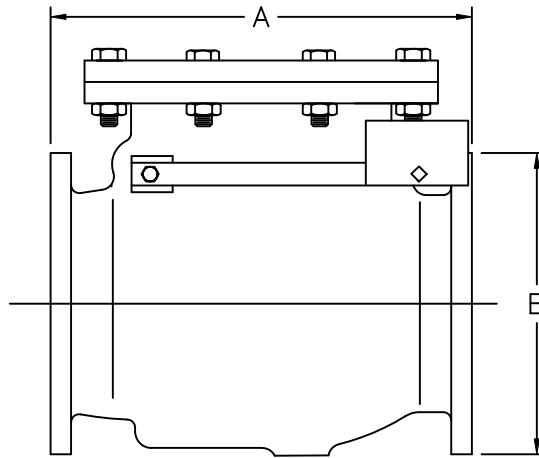
# Model 90LW



Flomatic Corporation

Sizes 2" thru 30" / 50mm thru 750mm

## Dimensional Data



## Dimensions

Size		Part #	A		B		C		D		E		F		Weight	
inch	mm		inch	mm	inch	mm	inch	mm	inch	mm	inch	mm	inch	mm	lbs	kg
2	50	2704LW	8	203	6	152	4-3/4	120	(4) 5/8	16	6	152	4-3/4	120	36	16
3	80	2706LW	9-1/2	241	7-1/2	191	6	152	(4) 5/8	16	7-1/16	179	5-11/32	136	62	28
10	250	2711LW	24-1/2	622	16	406	14-1/4	362	(12) 7/8	22	13-15/16	354	11-5/8	295	522	237
12	300	2712LW	27-1/2	699	19	483	17	432	(12) 7/8	22	16-3/16	411	13-3/4	349	733	332
14	350	2714LW	31	787	21	533	18-3/4	476	(12) 1	25	18-3/4	476	17	432	1130	513
16	400	2716LW	36	914	23-1/2	597	21-1/4	540	(16) 1	25	19-1/16	484	19-1/2	495	1530	694
18	450	2718LW	40	1016	25	635	22-3/4	578	(16) 1-1/8	29	25	635	21	533	1903	863
20	500	2720LW	40	1016	27-1/2	699	25	635	(20) 1-1/8	29	24-1/2	622	22-3/8	568	2383	1081
24	600	2724LW	48	1219	32	813	29-1/2	749	(20) 1-1/4	32	24-11/16	627	28-1/2	724	3298	1496
30	750	2730LW	49-1/2	1257	38-3/4	984	36	914	(28) 1-1/4	32	28	711	30-5/8	778	5550	2495

Flomatic Corporation can accept no responsibility for possible errors in catalogues, brochures and other printed material. Flomatic Corporation reserves the right to alter its products without notices. This also applies to product already agreed. All trademarks in this material are property of the respective companies. All right reserved. ©2011 Flomatic Corporation. The drawings & information on this drawing sheet are the sole & exclusive property of Flomatic Corporation. Any reproduction, distribution, display or use of these drawings or information in whole or in part without written authorization of Flomatic Corporation is strictly prohibited.



January 2, 1991  
Dwg No: S6017 Rev: L (7/13)

FLOMATIC CORPORATION  
GLENS FALLS, N.Y. 12801  
PHONE (518) 761-9797  
FAX (518) 761-9798