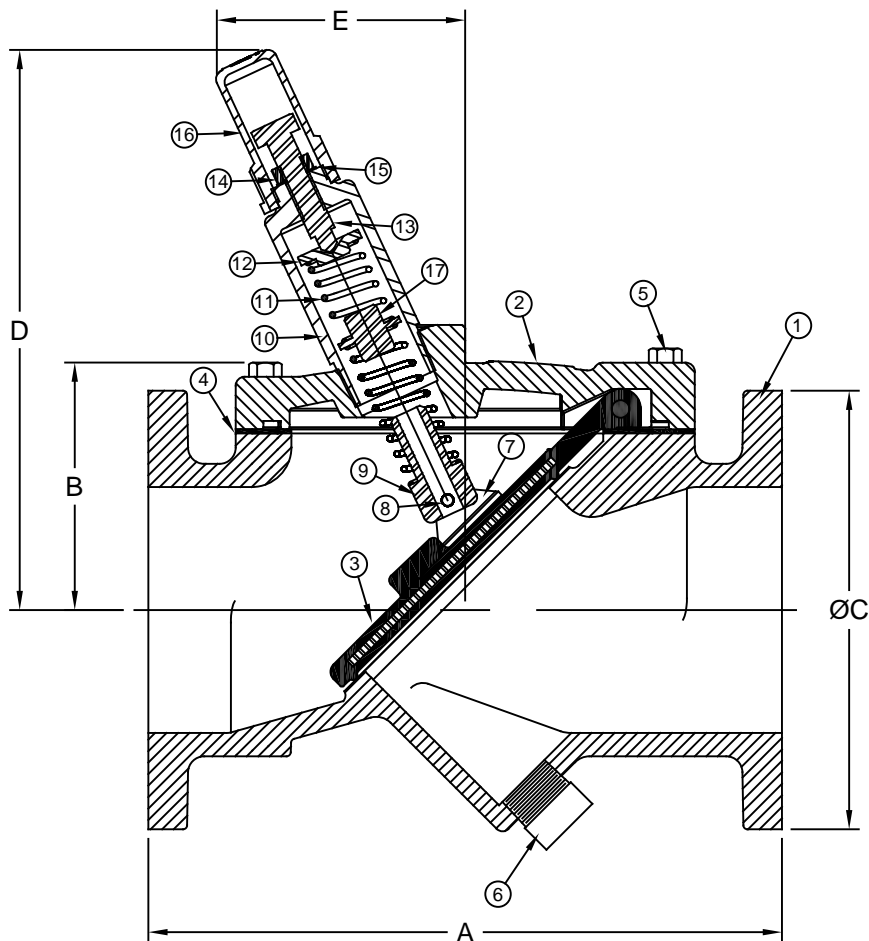


Sizes 4" / 100mm

Assisted Spring Closure (ASC)

Materials



Patent # 9,879,791

Item #	Qty	Description	Material	ASTM	Item #	Qty	Description	Material	ASTM
1	1	Body (Epoxy Coated)	Ductile Iron	A536	10	1	Spring Housing	Stainless Steel	304
2	1	Cover (Epoxy Coated)	Ductile Iron	A536	11	1	Spring	Stainless Steel	18-8
3	1	Flapper	Buna coated Steel	-----	12	1	Spring Button	Stainless Steel	304
4	1	Gasket	Buna	-----	13	1	Adjustment Bolt	Stainless Steel	18-8
5	A/R	Cover Bolt	Steel	SAE Grade 5	14	1	Jam Nut	Stainless Steel	18-8
6	1	Plug	Malleable Iron	-----	15	1	Thread Seal Washer	Stainless Steel/Buna	18-8
7	1	Bracket w/ Fasteners	CRS / SS	Epoxy/18-8	16	1	Cap w/ Seal	Stainless Steel/Nylon	304
8	1	Pin w/ Cotter Pins	Stainless Steel	304	17	1	Stabilizer	Stainless Steel	304
9	1	Spring Holder	Stainless Steel	304					

A/R = Amount Required

Dimensions (150# ANSI B16.5 flanges)

Size		A		B		C		D		E		Weight	
inch	mm	inch	mm	inch	mm	inch	mm	inch	mm	inch	mm	lbs	kg
4	100	11-1/2	292	4-5/8	117	11	279	9-3/4	248	3-9/16	90	68	31

Flomatic Corporation can accept no responsibility for possible errors in catalogues, brochures and other printed material. Flomatic Corporation reserves the right to alter its products without notices. This also applies to product already agreed. All trademarks in this material are property of the respective companies. All right reserved. ©2016 Flomatic Corporation. The drawings & information on this drawing sheet are the sole & exclusive property of Flomatic Corporation. Any reproduction, distribution, display or use of these drawings or information in whole or in part without written authorization of Flomatic Corporation is strictly prohibited.

Sizes 4" / 100mm

Assisted Spring Closure (ASC)

NOTES:

VALVE IS PRE-SET AT 2psi STANDARD (2 YELLOW SPRINGS)

TO INCREASE CRACKING PRESSURE TURN ADJUSTMENT SCREW CLOCKWISE

TO DECREASE CRACKING PRESSURE TURN ADJUSTMENT SCREW COUNTERCLOCKWISE

(2) YELLOW SPRINGS	
# OF TURNS ON SCREW	CRACKING PRESSURE(psi)
0	0
2	2
3	5
4	5.5
5	7
6	8
7	9.5
8	10
9	11
10	12

CRACKING PRESSURE MAY VARY THIS CHART IS FOR REFERANCE ONLY

Flomatic Corporation can accept no responsibility for possible errors in catalogues, brochures and other printed material. Flomatic Corporation reserves the right to alter its products without notices. This also applies to product already agreed. All trademarks in this material are property of the respective companies. All right reserved. ©2016 Flomatic Corporation. The drawings & information on this drawing sheet are the sole & exclusive property of Flomatic Corporation. Any reproduction, distribution, display or use of these drawings or information in whole or in part without written authorization of Flomatic Corporation is strictly prohibited.