

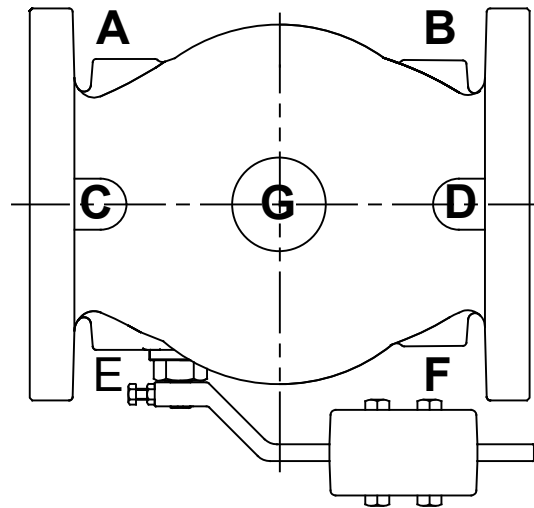
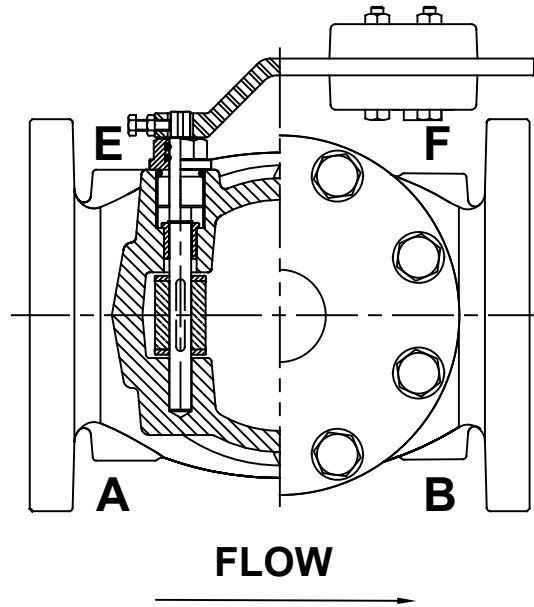
Swing Check Valve

Model 93LW



Flomatic Corporation

Size 2" thru 10" / 50mm thru 250mm



Dimensions

Size		NPT Tap Size for 93LW Boss Locations						
inch	mm	A	B	C	D	E	F	G
2	50	3/4	3/4	3/4	N/A	N/A	N/A	N/A
3	80	3/4	3/4	3/4	N/A	3/4	3/4	N/A
4	100	1	1	1-1/4	1-1/4	1	1	N/A
6	150	1-1/4	1-1/4	1-1/4	1-1/4	1-1/4	1-1/4	N/A
8	200	2	2	1-1/4	1-1/4	2	2	3/4
10	250	2	2	1-1/4	1-1/4	2	2	3/4

Flomatic Corporation can accept no responsibility for possible errors in catalogues, brochures and other printed material. Flomatic Corporation reserves the right to alter its products without notices. This also applies to product already agreed. All trademarks in this material are property of the respective companies. All rights reserved. ©2023 Flomatic Corporation. The drawings & information on this drawing sheet are the sole & exclusive property of Flomatic Corporation. Any reproduction, distribution, display or use of these drawings or information in whole or in part without written authorization of Flomatic Corporation is strictly prohibited. www.flomatic.com



April 11, 2018
Dwg No: S93LW_TAPS Rev: B (1/23)

FLOMATIC CORPORATION
GLENS FALLS, N.Y. 12801
PHONE (518) 761-9797
FAX (518) 761-9798